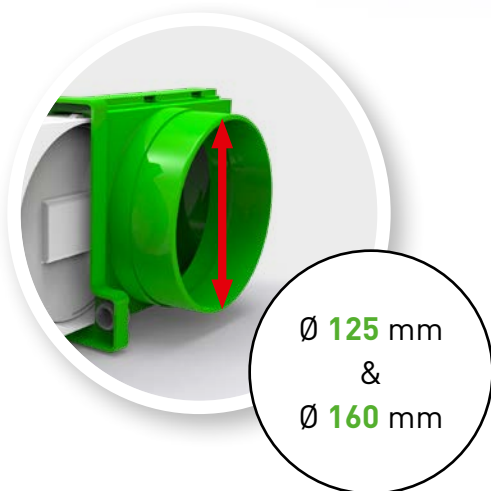


Intelli Air Valve (iAV)

Intelligent control valve with CO₂ or humidity measurement

NEW



- A compact solution for apartment blocks
- Quick and easy to install and maintain
- Central or zonal demand control
- Control via wireless communication

Intelli Air Valve (iAV)

- 
- These days we see many high-rise residential and non-residential buildings with a **central roof fan** in our streetscapes. For **refurbishment**, however, these buildings do not lend themselves so well to having a separate extract unit for each zone or dwelling. The **Intelli Air Valve (iAV)** is Duco's answer for the pressing demand to enable intelligent demand control to be used in such situations as well.

THE OBVIOUS SOLUTION FOR COMMON EXHAUST

Ideal for every situation

The Intelli Air Valve can be implemented seamlessly as a compact system equally well in high-rise buildings, apartment blocks, student accommodation, schools or offices.

Combined with a (pressure-controlled) roof fan, this intelligent control valve ensures **air is exhausted** efficiently throughout the building. It also makes the use of a zonally controlled mechanical extract unit for each dwelling unit redundant. At the same time, **existing ventilation ducts and the (pressure-controlled) roof fan can be retained.**



INTELLIGENT CONTROL

Tailor-made solution

Depending on your requirements for the project, the iAV offers you the choice of central or zonal demand control. The following versions are available: CO₂, Humidity, Toilet (only Ø 125 mm) or Sensorless. Furthermore, the entire ventilation system incorporating the iAV can be configured **entirely in line with your wishes**. This allows the iAVs to operate entirely on their own, while if so desired they can also be controlled using one or more optional User controllers or sensors.

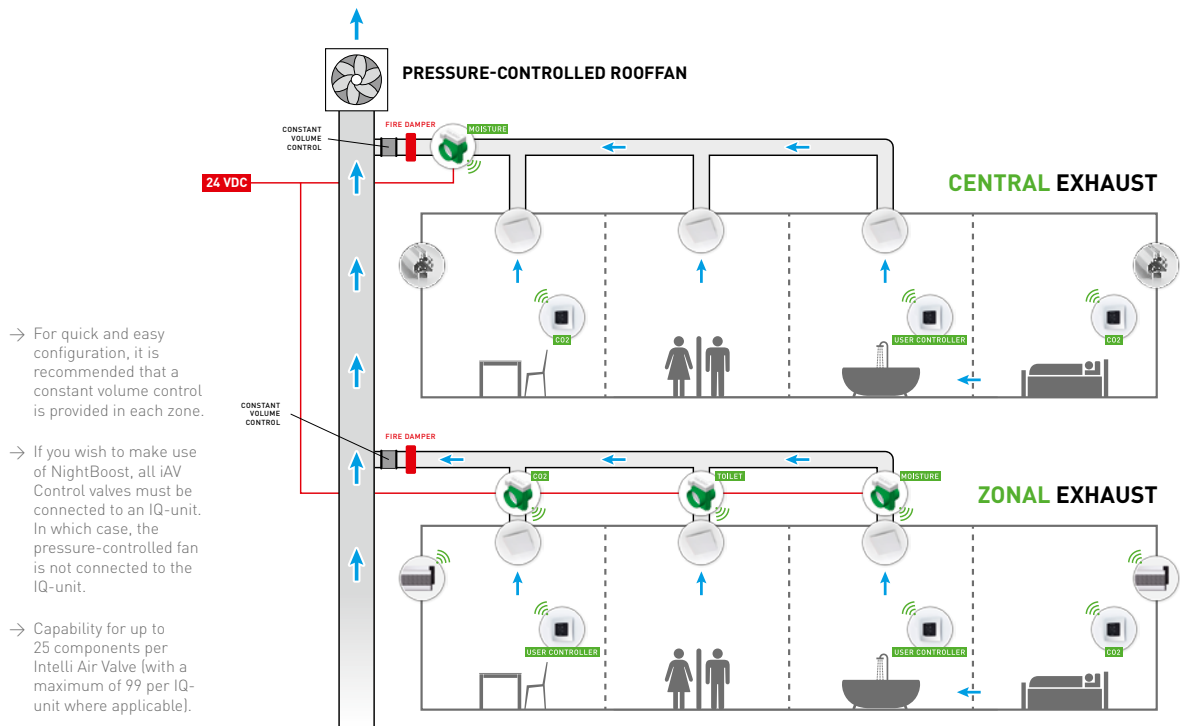
Easy installation and maintenance

The Intelli Air Valve offers you not just **ease of installation**. The patented control valve system, which enables the control valve to be easily removed from the housing, means at the same time that the valve is **easy to maintain**.

The ability to set up **wireless communication** with Duco's electronically controlled window ventilators is an added plus. This provides the ultimate guarantee of a healthy, comfortable, as well as energy-efficient indoor climate!

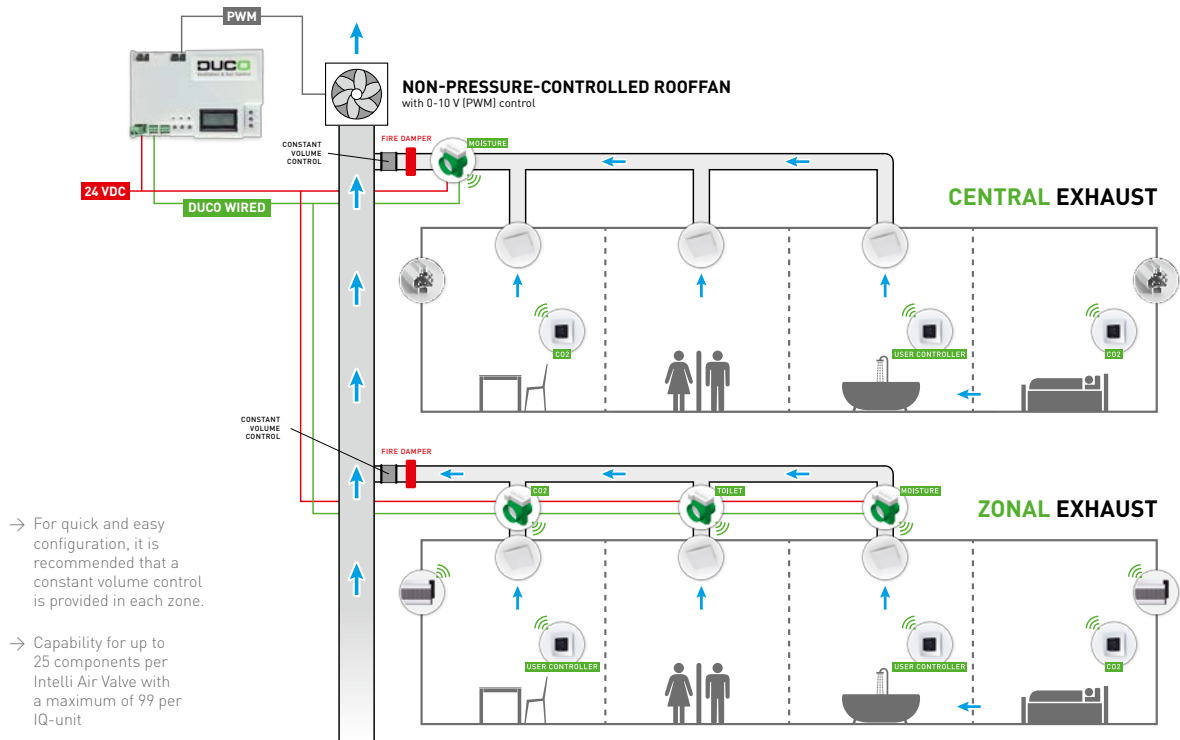


→ Outline with a **pressure-controlled** roof fan



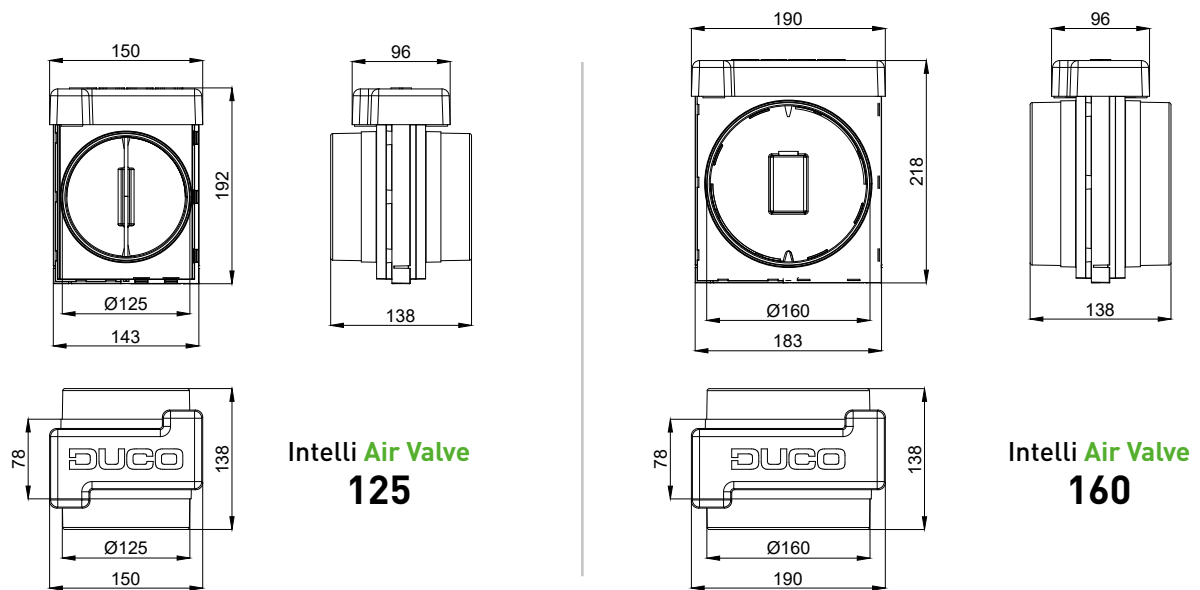
- For quick and easy configuration, it is recommended that a constant volume control is provided in each zone.
- If you wish to make use of NightBoost, all iAV Control valves must be connected to an IQ-unit. In which case, the pressure-controlled fan is not connected to the IQ-unit.
- Capability for up to 25 components per Intelli Air Valve (with a maximum of 99 per IQ-unit where applicable).

→ Outline with **non-pressure-controlled** roof fan and IQ-unit



- For quick and easy configuration, it is recommended that a constant volume control is provided in each zone.
- Capability for up to 25 components per Intelli Air Valve with a maximum of 99 per IQ-unit

INTELLI AIR VALVE IN FIGURES



	Intelli Air Valve 125	Intelli Air Valve 160
Afmetingen (B x H x D)	Housing: 192 x 150 x 138 mm iAV Control valve: 141 x 167 x 46,5 mm	Housing: 220 x 183 x 138 mm iAV Control valve: 165 x 195 x 48 mm
Kanaaldiameter	ø 125 mm	ø 160 mm
Gewicht	Housing: 268 g iAV Control valve: 220 g	Housing: 348 g iAV Control valve: 280 g
Afvoercapaciteit bij 150 Pa	Maximum 150 m ³ /h	Maximum 250 m ³ /h
Voeding	24 VDC (with cable of max. 1,5 mm ²)	
Vermogen	Standby: 0,4 W Peak: 7,0 W	
Communicatie	RF with underlying components. Wired connection with any IQ-unit, with cable of max. 1,5 mm ²)	

Discover **10 reasons** to choose
the Intelli Air Valve at duco.tv



HOME OF OXYGEN

At Duco, we provide oxygen to each building in a perfectly natural way. Allowing fresh air from the outside to directly enter a building through the building envelope, without the need for complex air ducting systems, is the ultimate guarantee of a healthy indoor climate. The occupant's health and well-being are, therefore, central to Duco.

A well thought-out combination of basic ventilation, intensive (night) ventilation and solar shading is essential to ensure an optimum air quality. Duco provides an innovative solution for residential buildings, offices, schools or care centres where everyone feels at home. Duco, Home of Oxygen.

A SOLUTION FOR EVERY SITUATION!

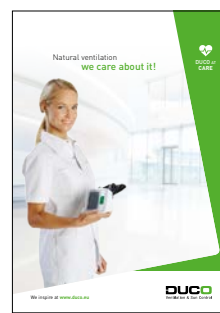
Discover our other concepts in these brochures:



DUCO at WORK



DUCO at SCHOOL



DUCO at CARE

call +32 58 33 00 33 or
e-mail info@duco.eu

We will be happy to provide you with any further information on our existing and new products.

We inspire at www.duco.eu



... Like us



Follow us ...

DUCO
Ventilation & Sun Control