

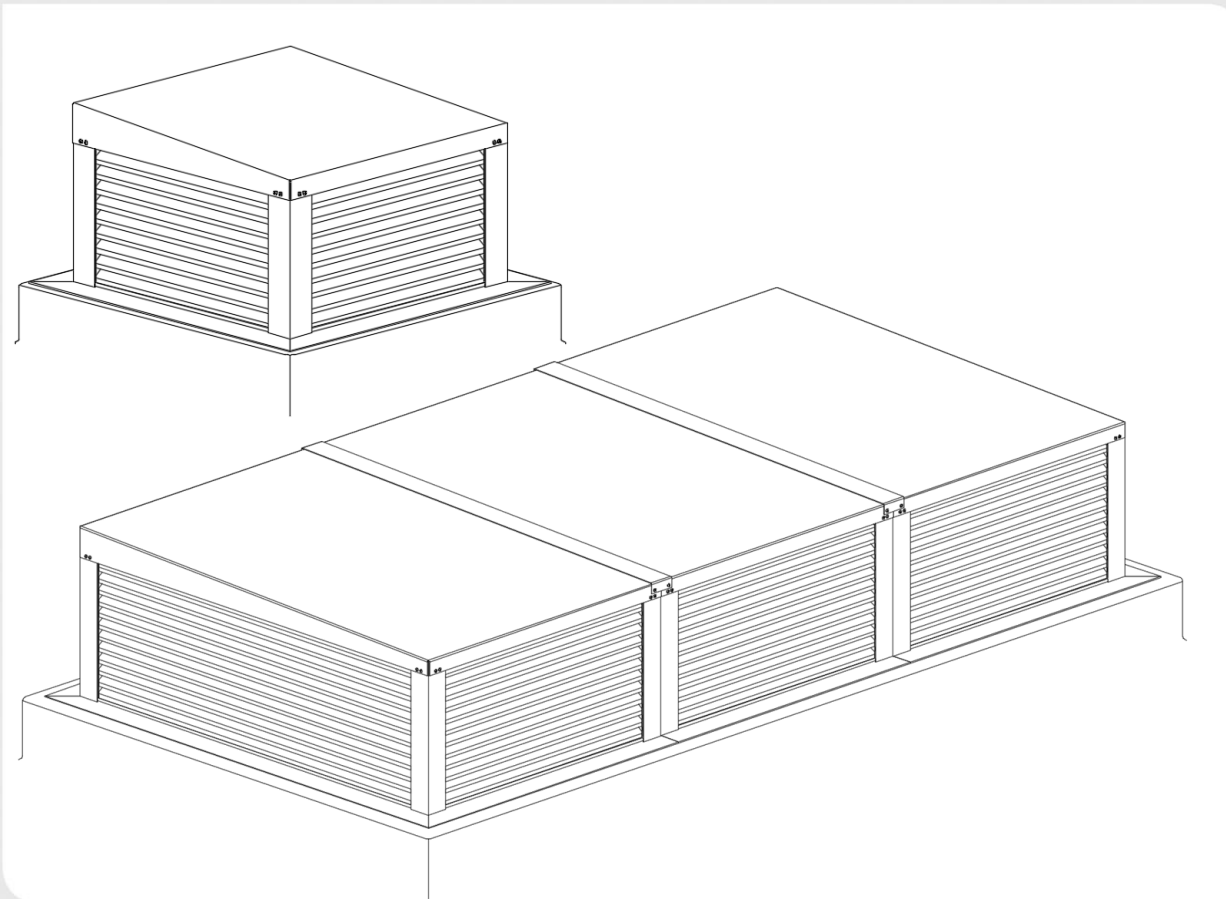
Fitting instructions

Duco Roof Turret Solid 30Z

26/01/2022

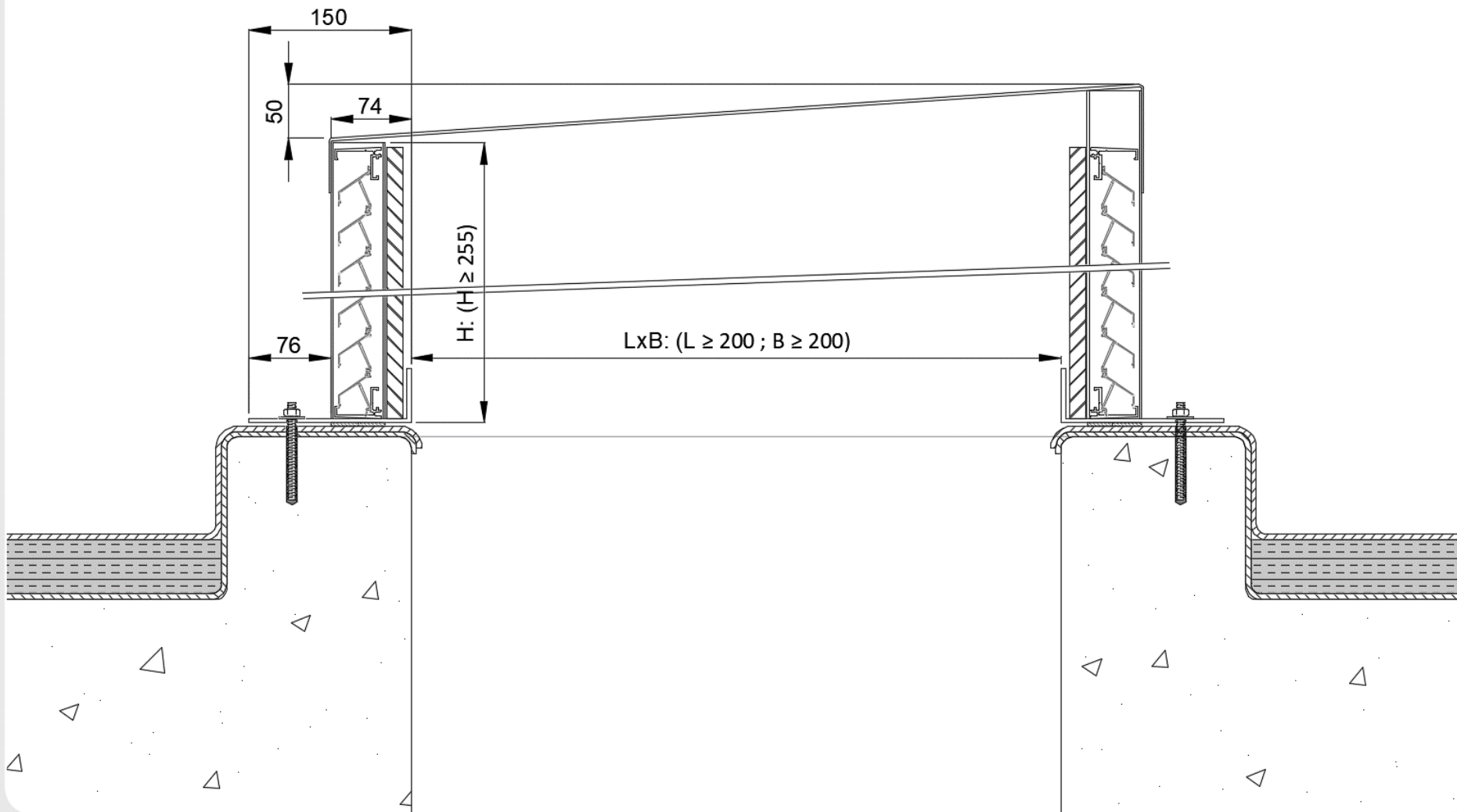
CONTENTS

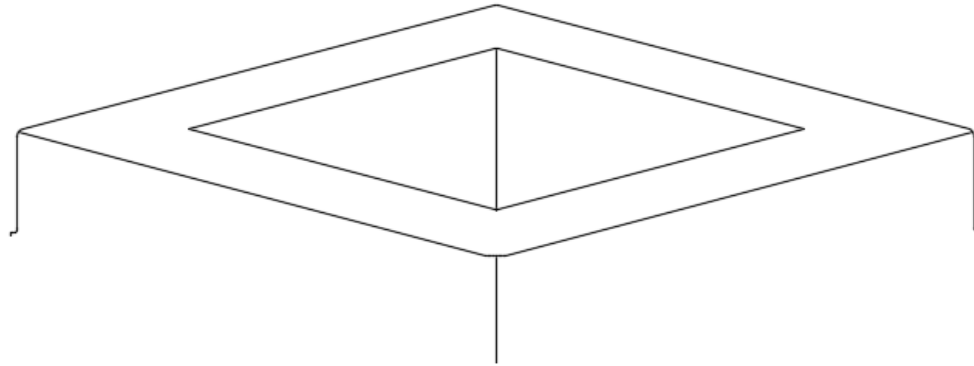
1. Dimension
2. Fitting
3. Single module installation
4. Installation of multiple modules



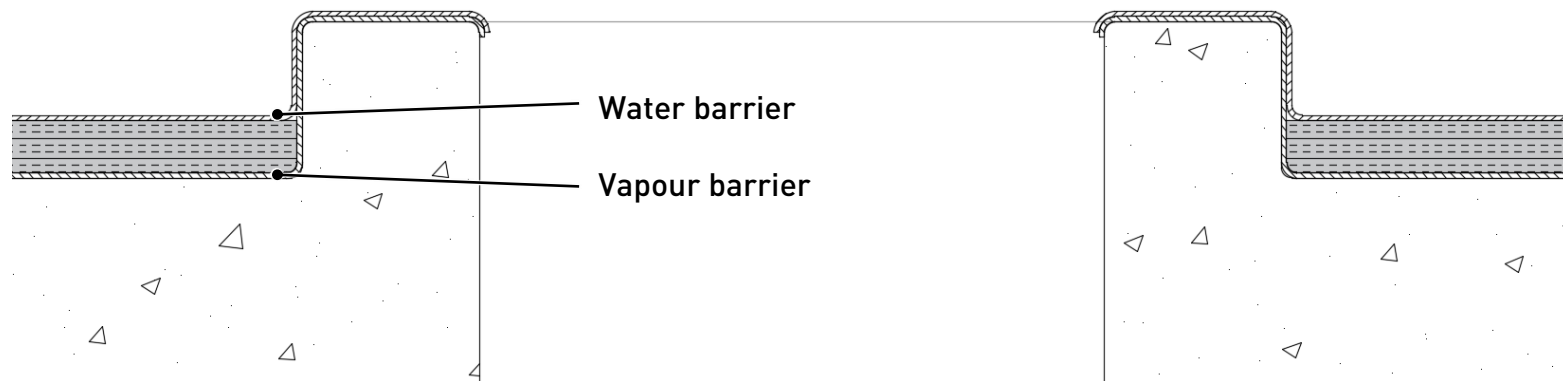
1

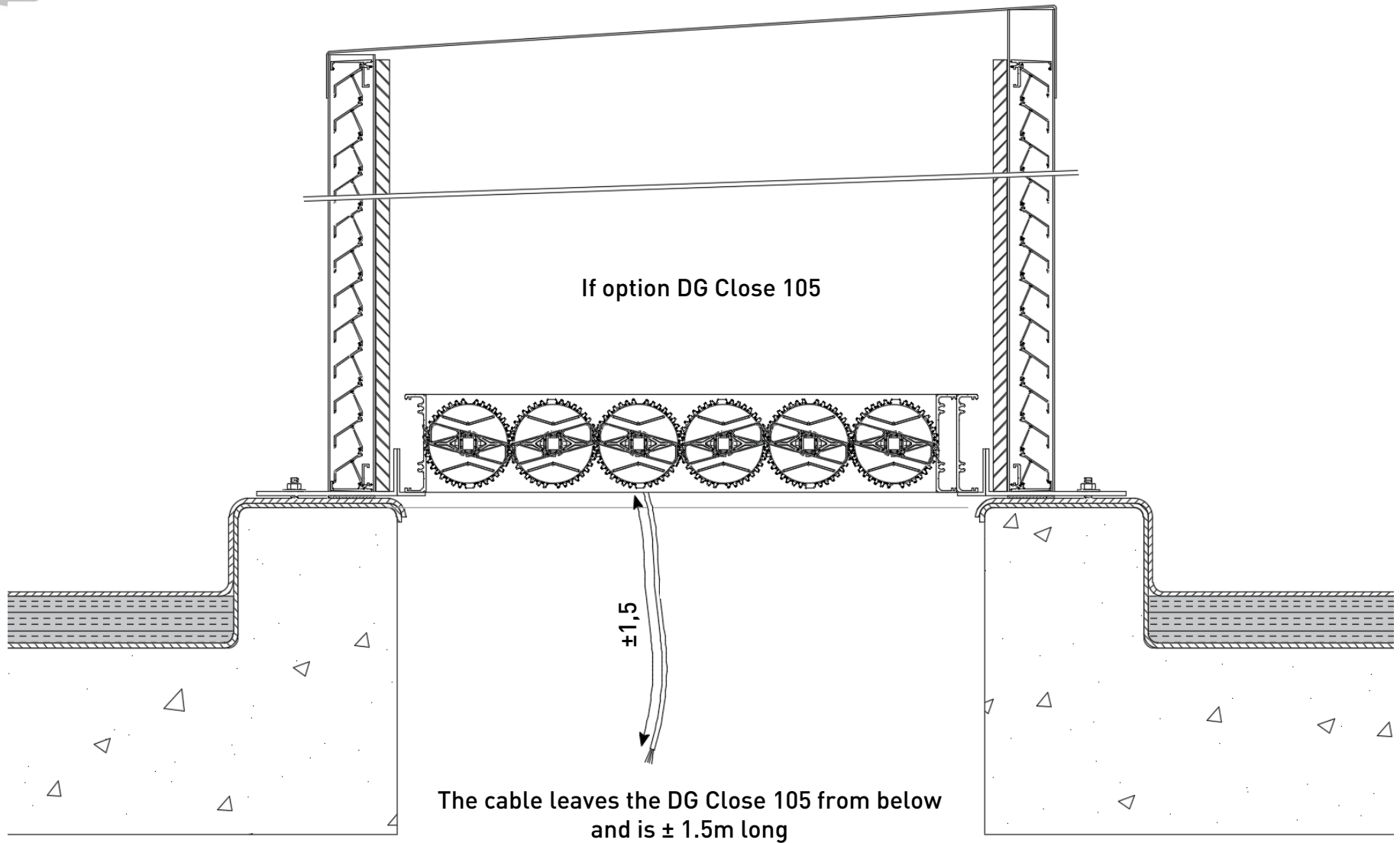
Dimension





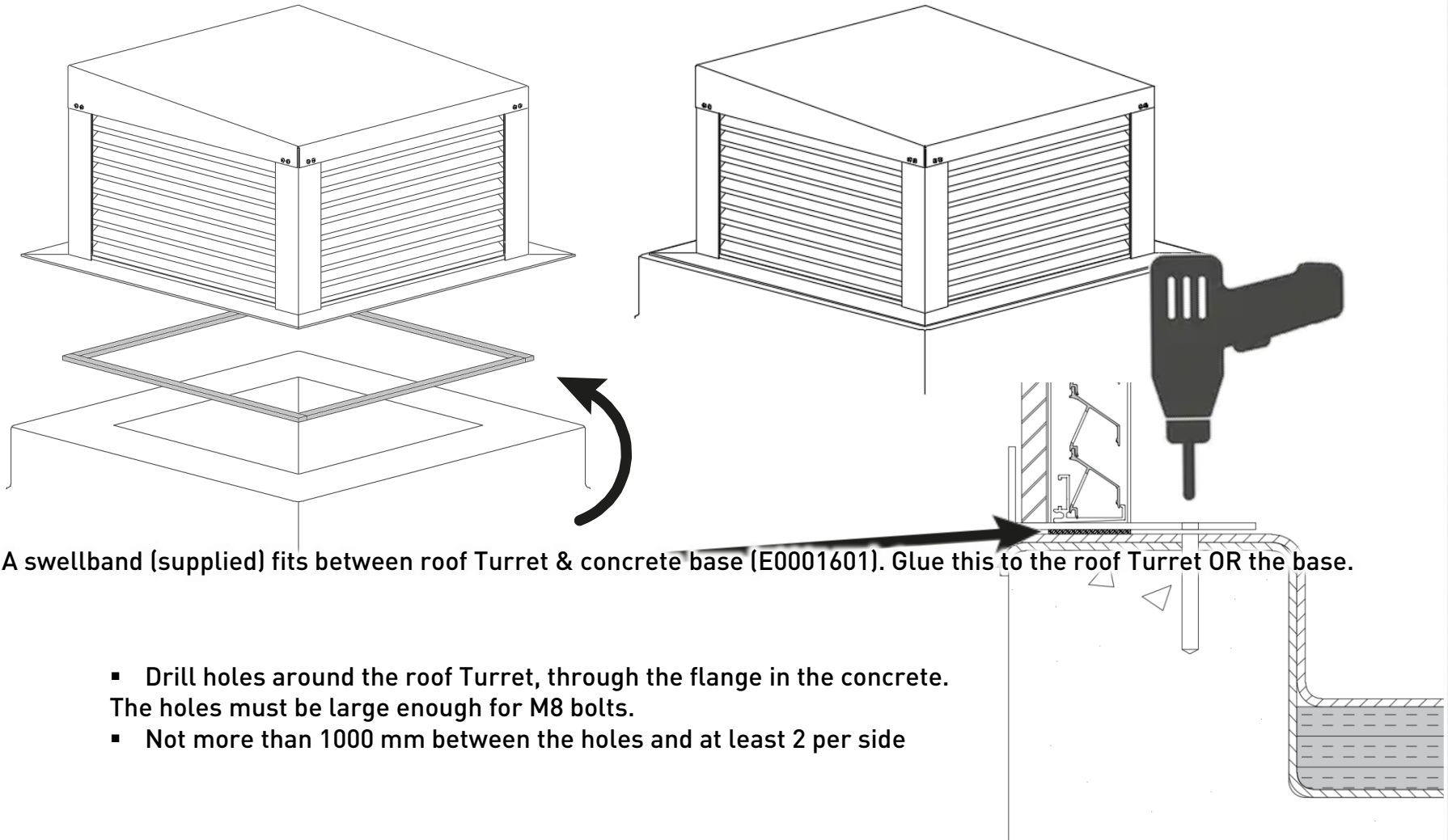
Water barrier & vapour barrier extend beyond the base



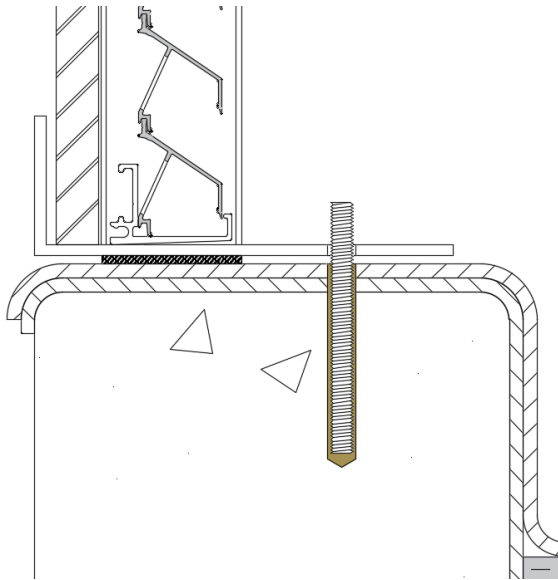


3

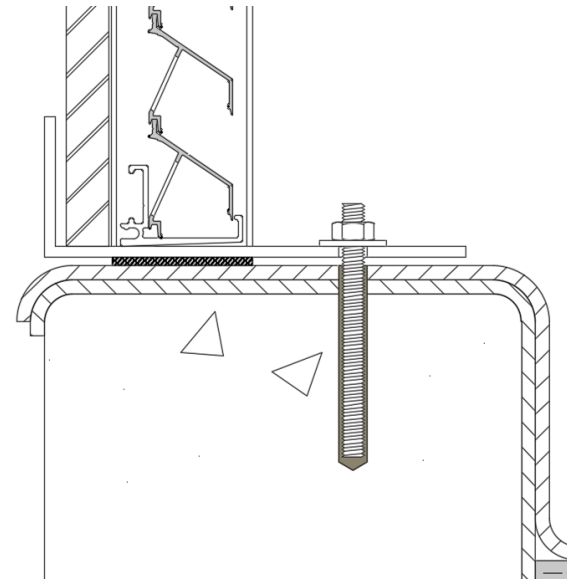
Single module installation



- A swellband (supplied) fits between roof Turret & concrete base (E0001601). Glue this to the roof Turret OR the base.
- Drill holes around the roof Turret, through the flange in the concrete. The holes must be large enough for M8 bolts.
- Not more than 1000 mm between the holes and at least 2 per side



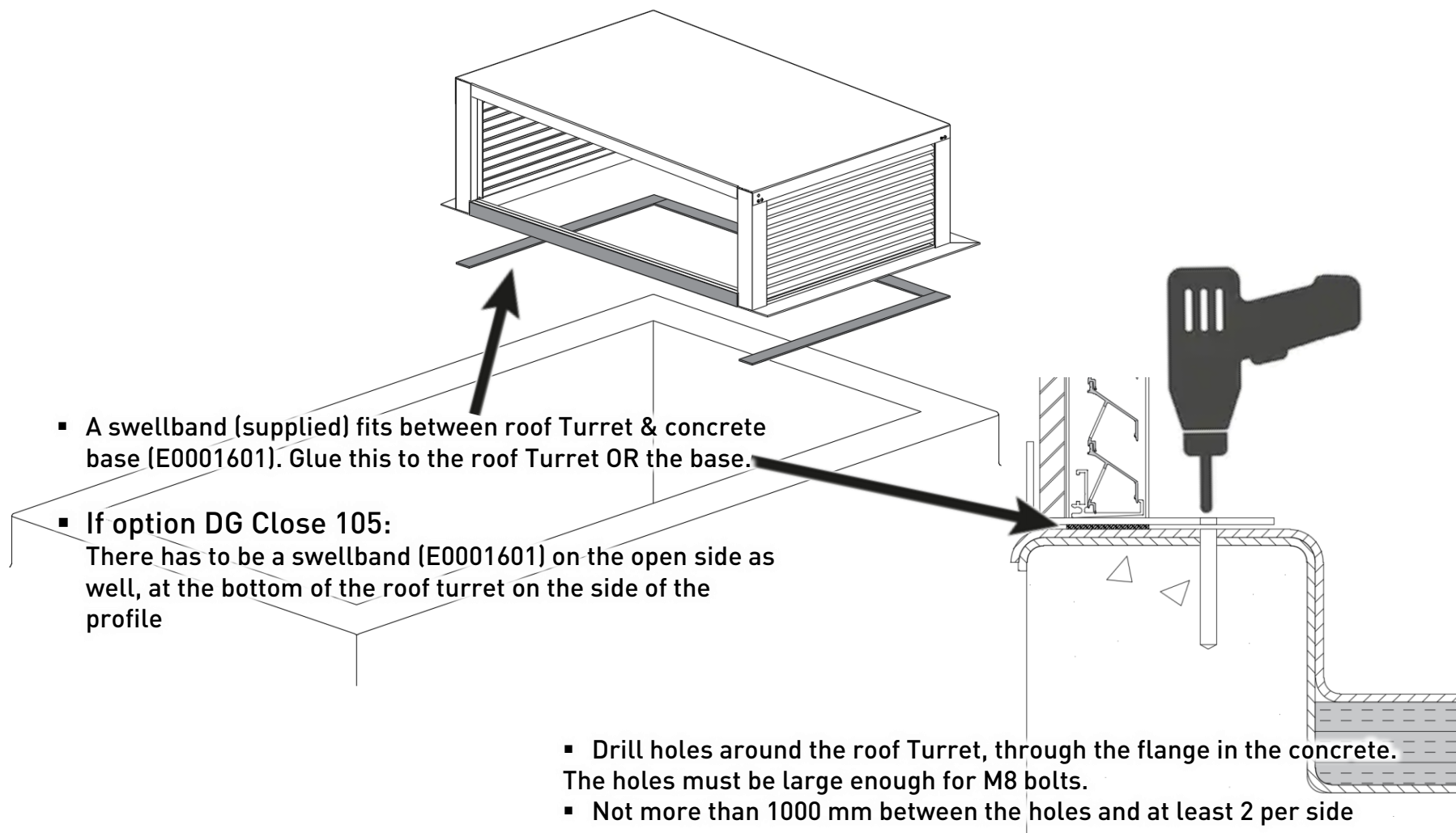
Secure the threaded end in the concrete structure.
(e.g.: chemical anchoring/injection mortar)



Secure the Roof Turret with nut and washer
(not supplied by Duco)

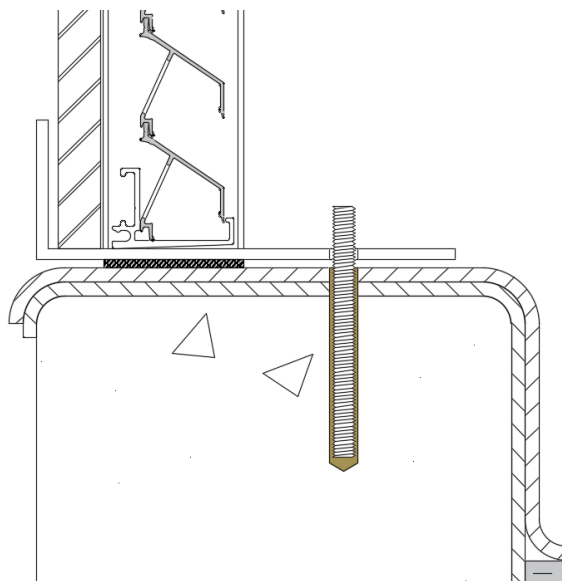
4

Installation of multiple modules

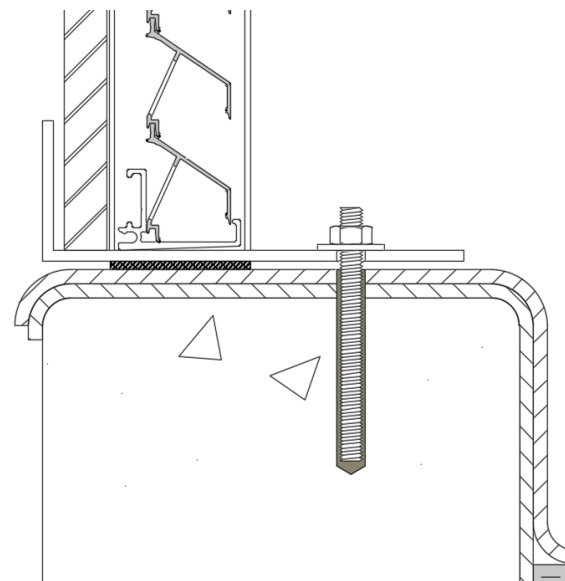


4

Installation of multiple modules

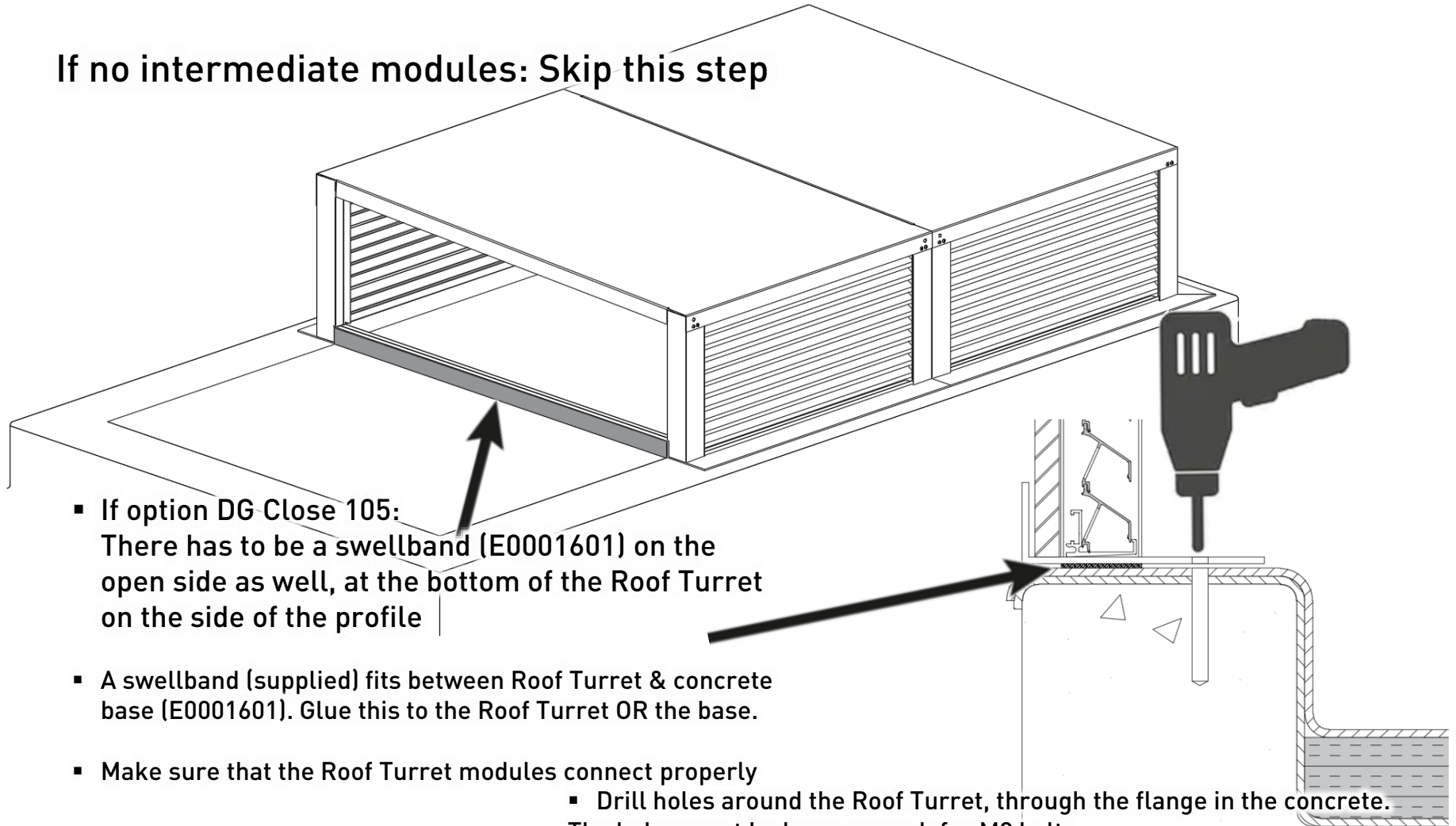


Secure the threaded end in the concrete structure.
(e.g.: chemical anchoring/injection mortar)



Secure the Roof Turret with nut and washer

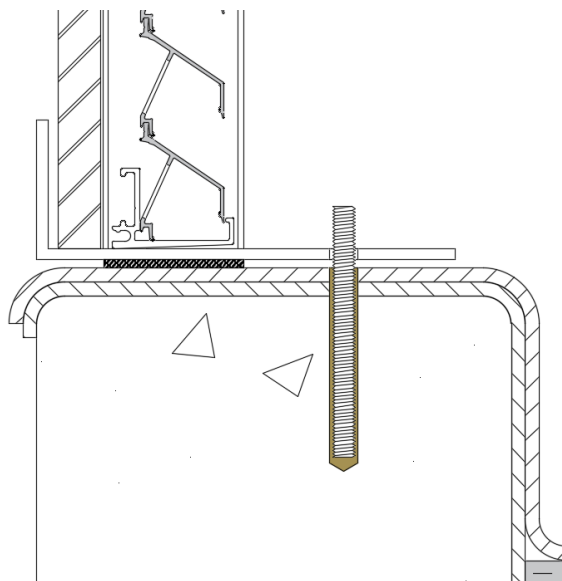
If no intermediate modules: Skip this step



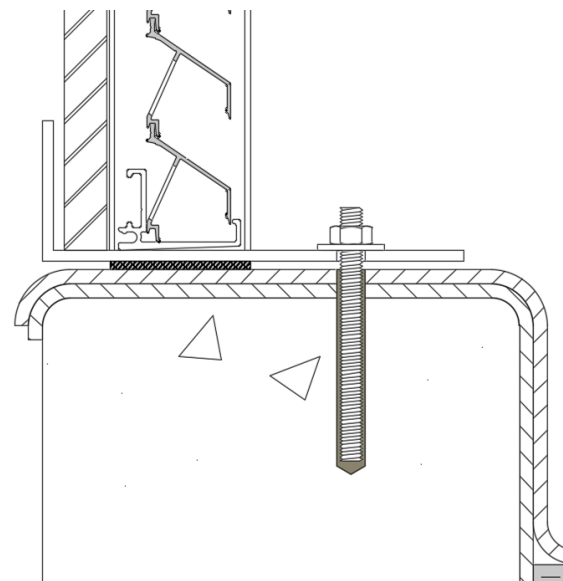
- If option DG Close 105:
There has to be a swellband (E0001601) on the open side as well, at the bottom of the Roof Turret on the side of the profile
- A swellband (supplied) fits between Roof Turret & concrete base (E0001601). Glue this to the Roof Turret OR the base.
- Make sure that the Roof Turret modules connect properly
 - Drill holes around the Roof Turret, through the flange in the concrete. The holes must be large enough for M8 bolts.
 - Not more than 1000 mm between the holes and at least 2 per side

4

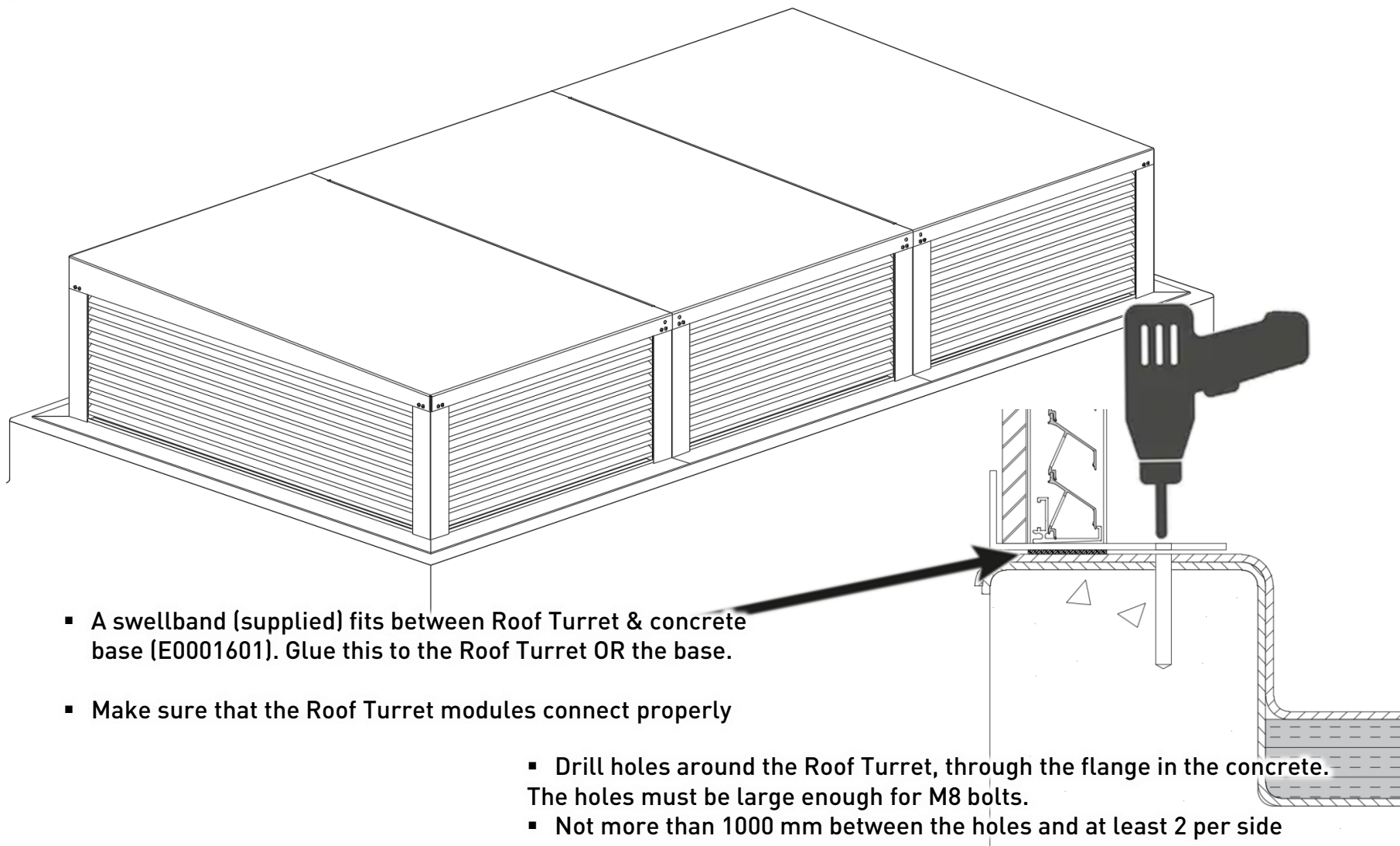
Installation of multiple modules



Secure the threaded end in the concrete structure.
(e.g.: chemical anchoring/injection mortar)



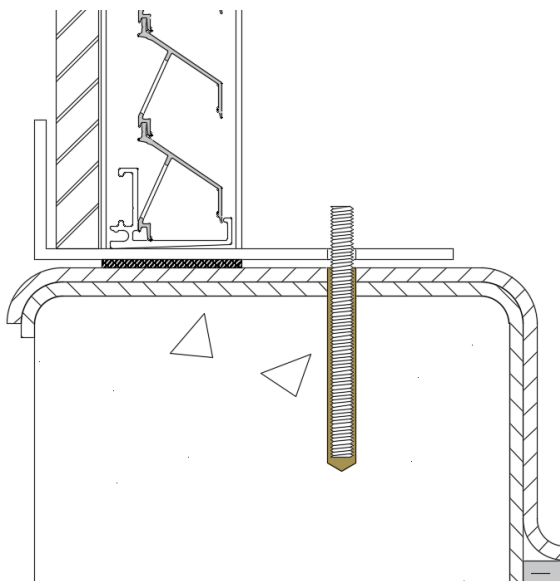
Secure the Roof Turret with nut and washer



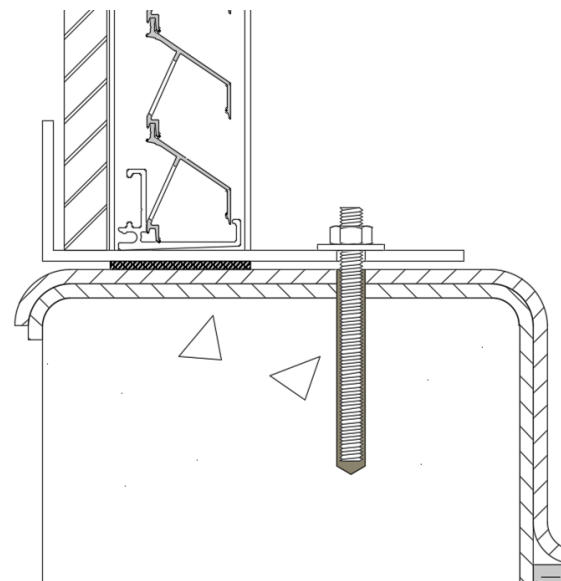
- A swellband (supplied) fits between Roof Turret & concrete base (E0001601). Glue this to the Roof Turret OR the base.
- Make sure that the Roof Turret modules connect properly
 - Drill holes around the Roof Turret, through the flange in the concrete. The holes must be large enough for M8 bolts.
 - Not more than 1000 mm between the holes and at least 2 per side

4

Installation of multiple modules



Secure the threaded end in the concrete structure.
(e.g.: chemical anchoring/injection mortar)

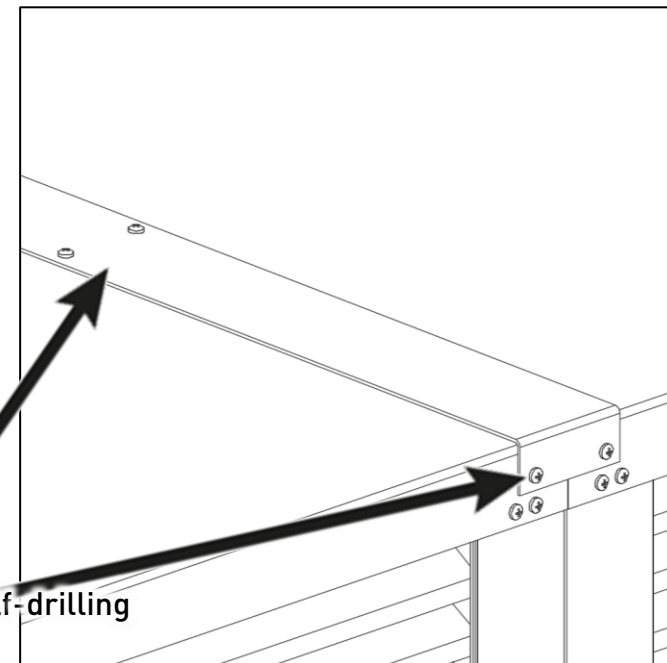
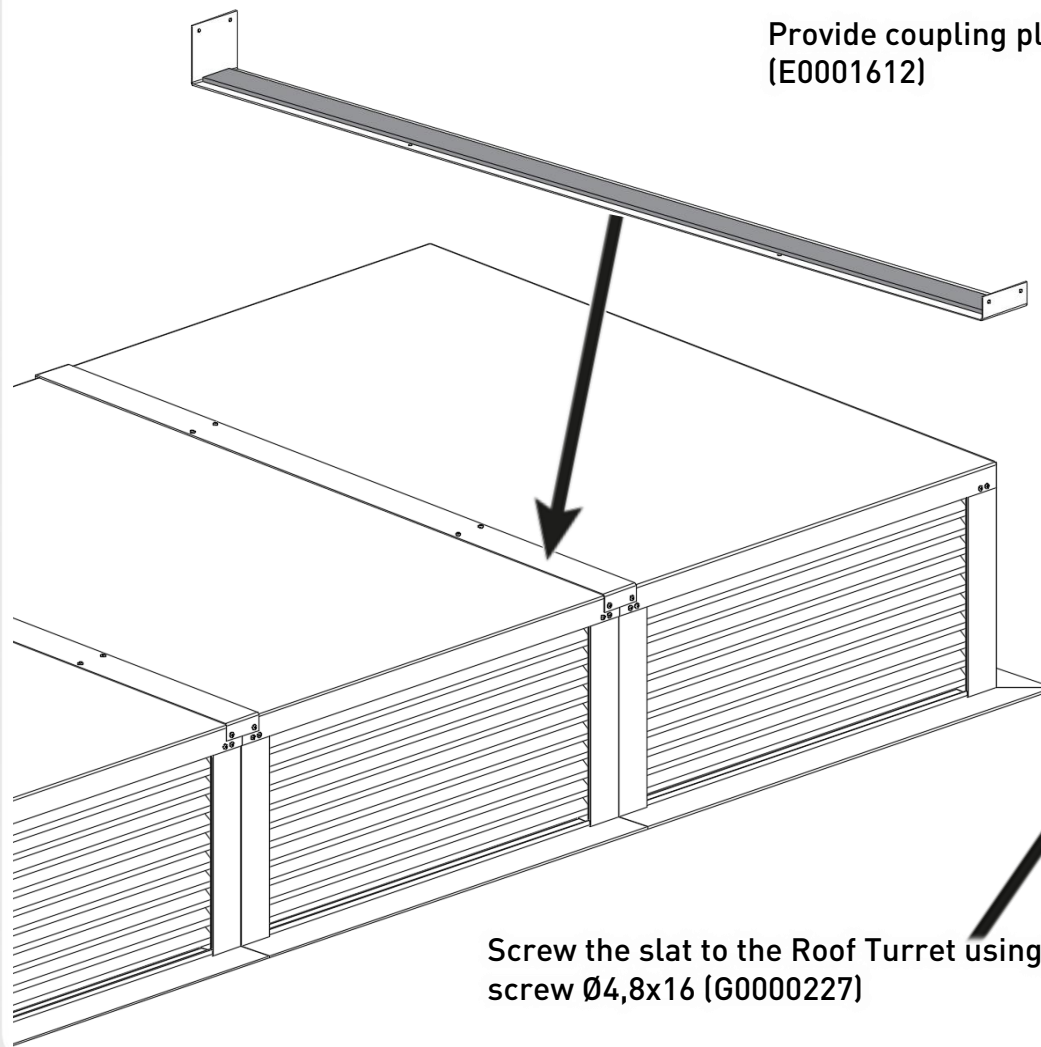


Secure the Roof Turret with nut and washer

4

Installation of multiple modules

Provide coupling plate (G012007) with double-sided tape (E0001612)



Screw the slat to the Roof Turret using self-drilling screw $\text{Ø}4,8 \times 16$ (G0000227)

4

Installation of multiple modules

