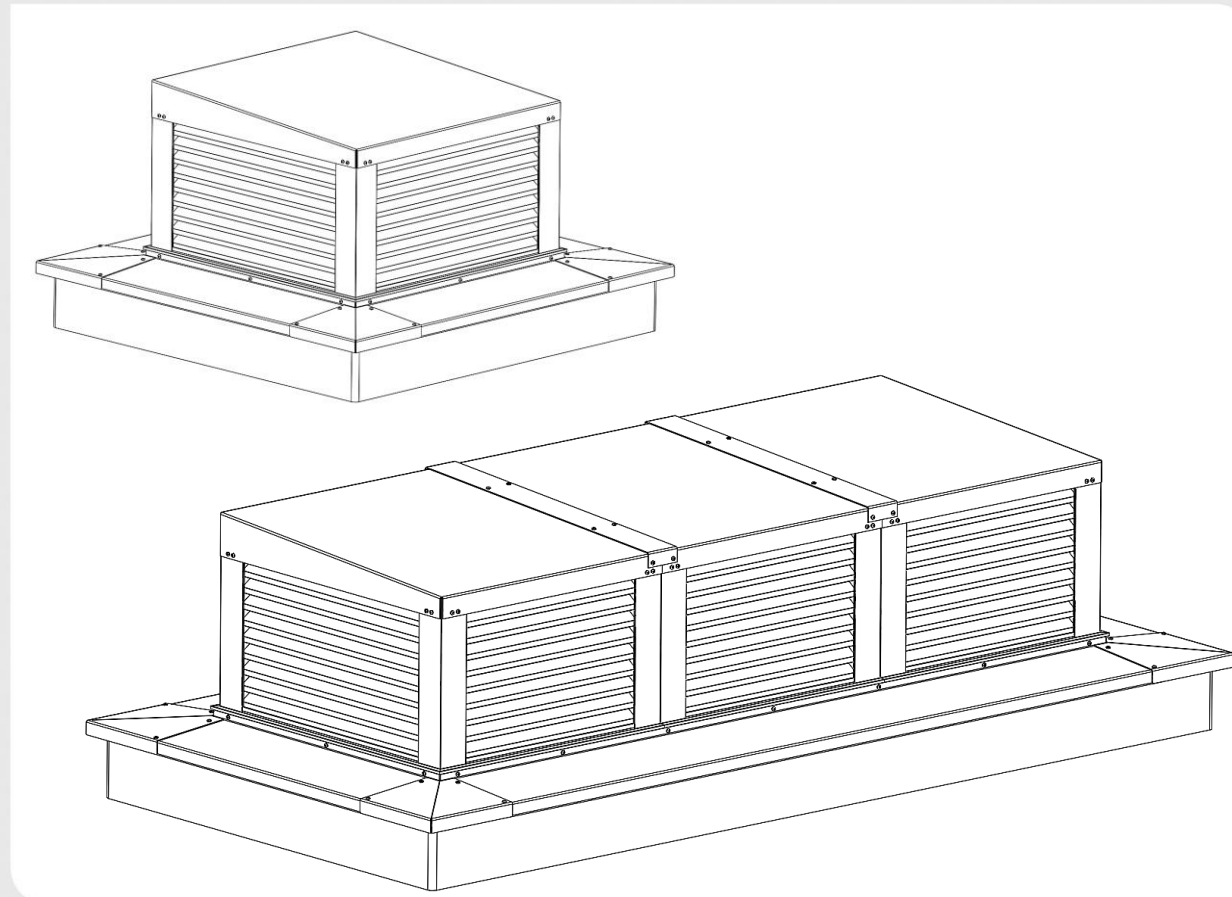


Fitting instructions

Duco Roof Turret Solid 30Z with sill profile

20/03/2023

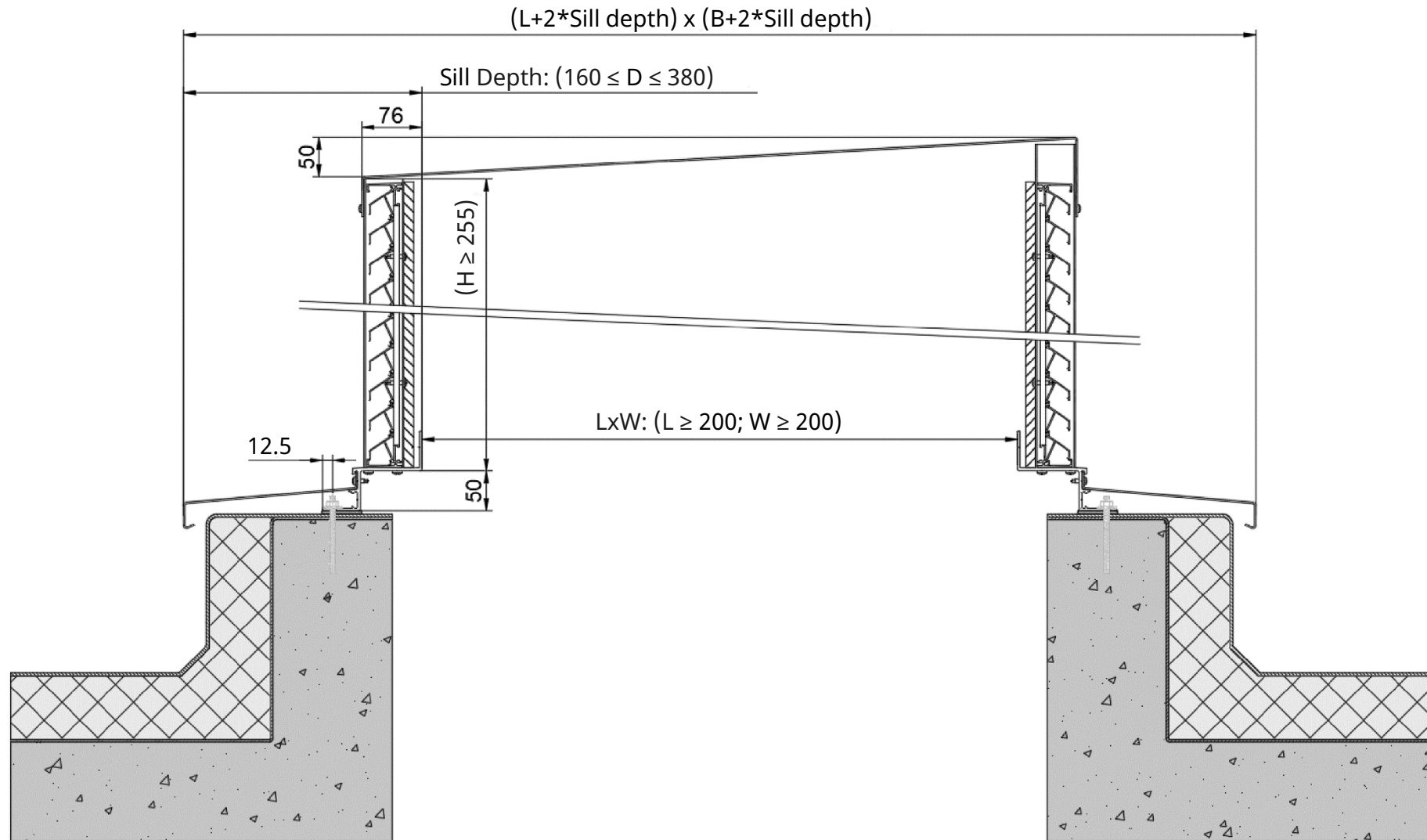


CONTENTS

1. Dimensions
2. Preparation
3. Mounting single module
4. Mounting multiple modules

1

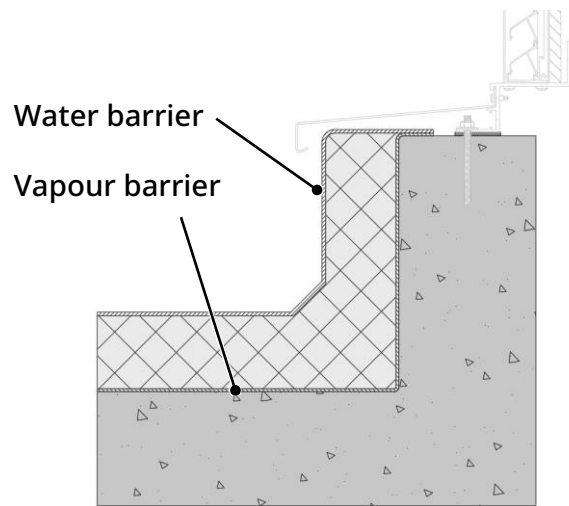
Dimensions



2

Preparation

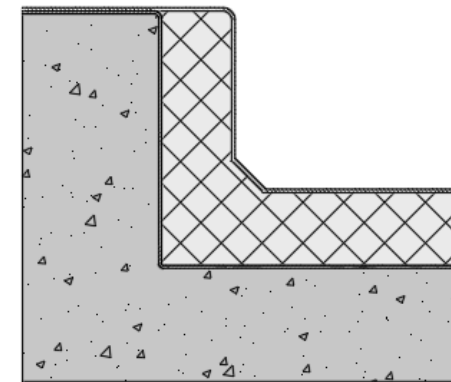
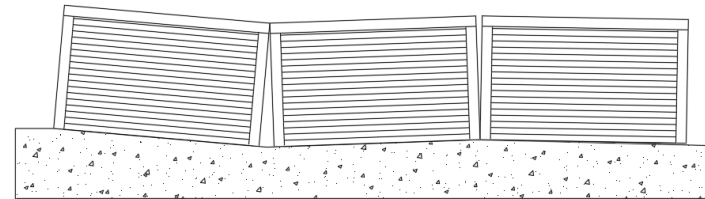
When mounting the roof turret prior to the roofing work, the roof cladding can be fitted up to the front of the roof turret. The sill section is to be mounted after the roofing work.



Water barrier & vapour barrier extend partially over the base

If the roof turret is installed after the roofing work, the roof turret module can also be mounted directly on the roof cladding. Note that the layered structure creates an uneven surface, which can make mounting the modules difficult.

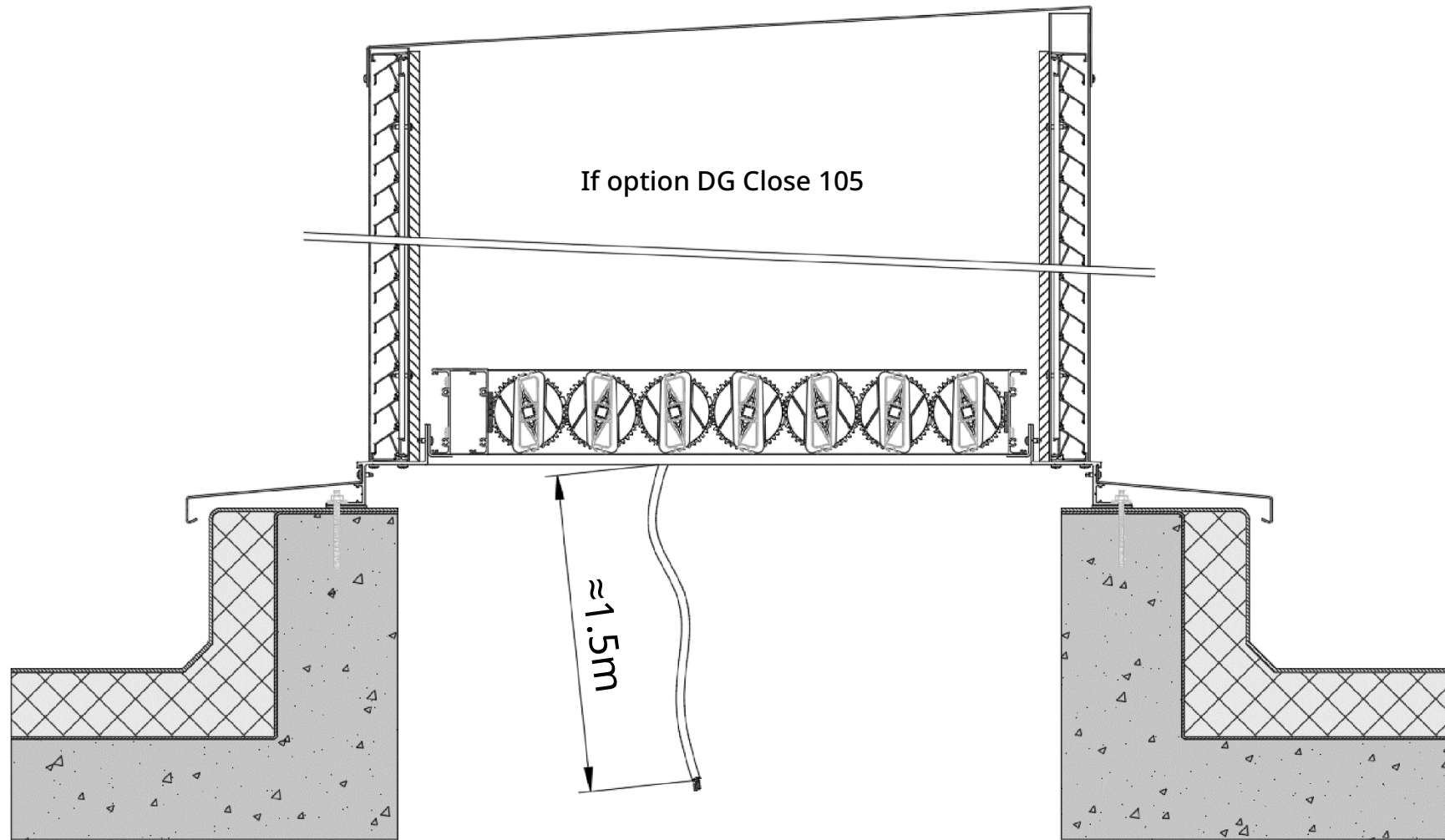
In consultation with the roofer, it can be agreed to fit the roof cladding only partially over the roof upstand such that the modules can be mounted directly on the surface. (see scenario left)



Water barrier & vapour barrier extend beyond the base

2

Preparation

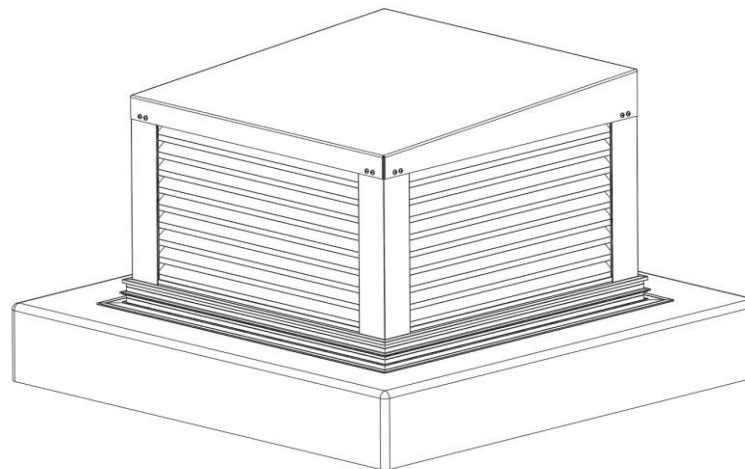
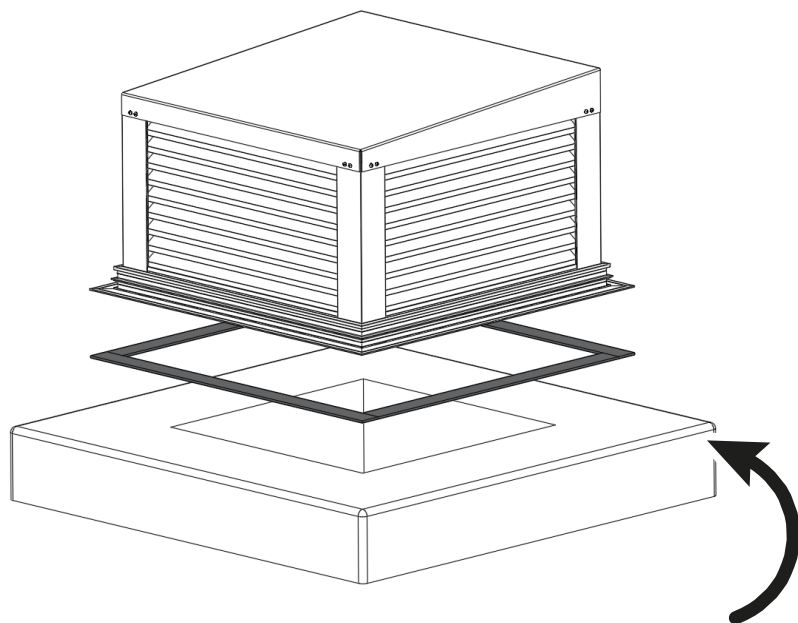


If option DG Close 105

$\approx 1.5\text{m}$

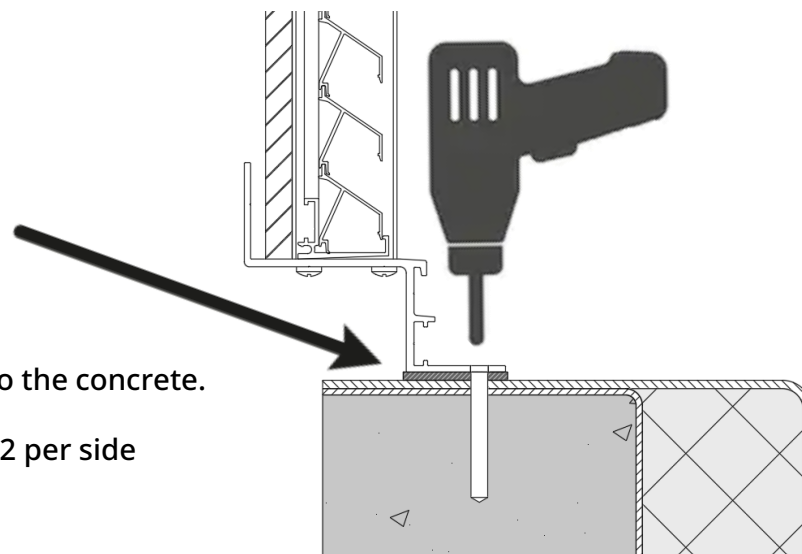
The cable exits the DG Close105 through the bottom and is $\approx 1.5\text{m}$ long

3 Mounting single module

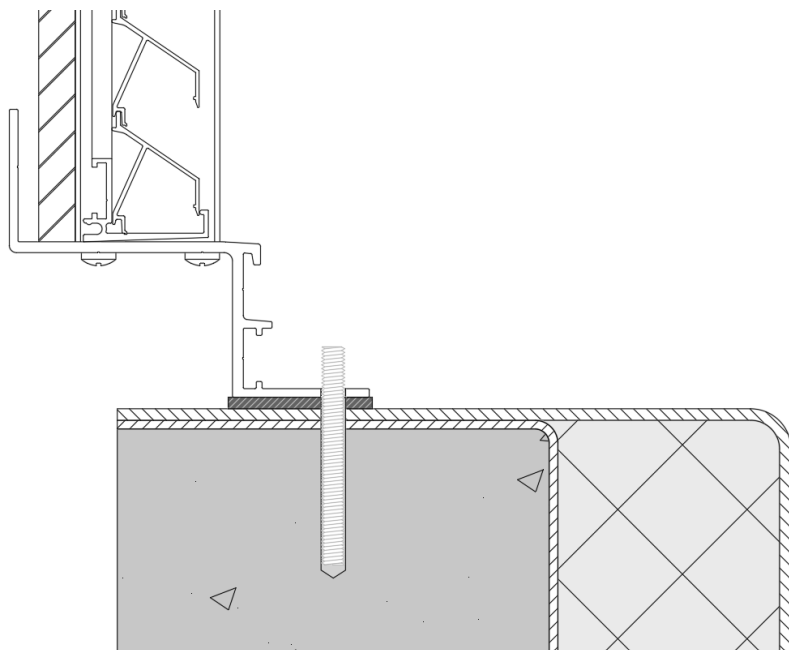


- The swellable tape (E0001601) supplied is to be applied between the roof turret and the concrete base. Glue this to the roof turret OR the base.

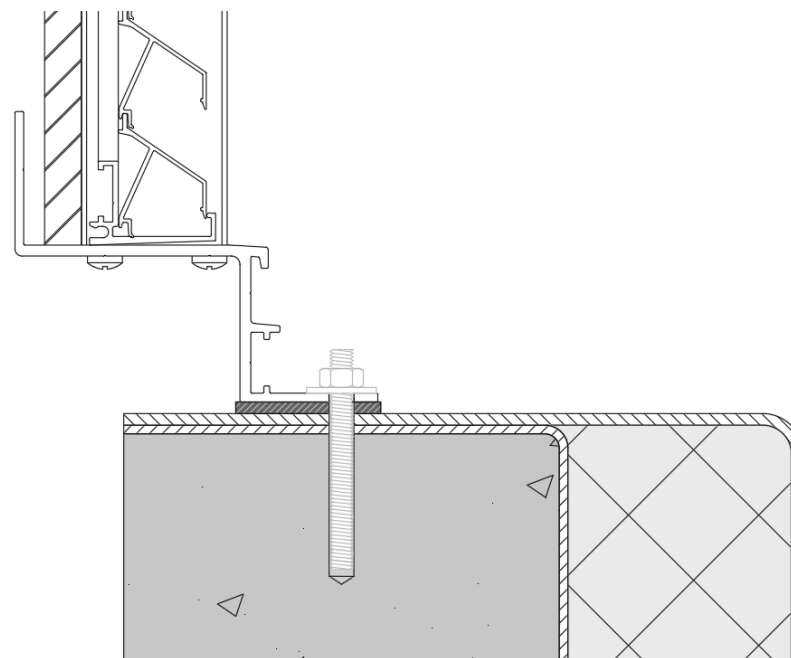
- Drill holes around the roof turret, through the flange into the concrete. The holes must be large enough for M8 bolts.
- Not more than 1000 mm between the holes and at least 2 per side



3 Mounting single module



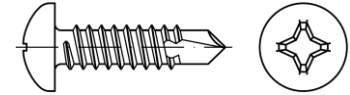
Anchor the stud (not supplied by Duco)
in the concrete structure.
(e.g.: Chemical anchoring/injection mortar)



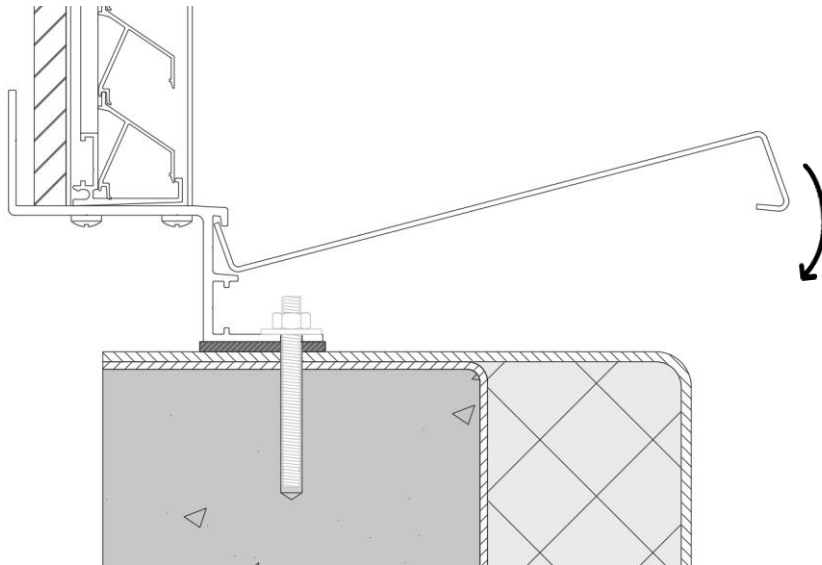
Secure the roof turret with a nut and washer
(not supplied by Duco)

3

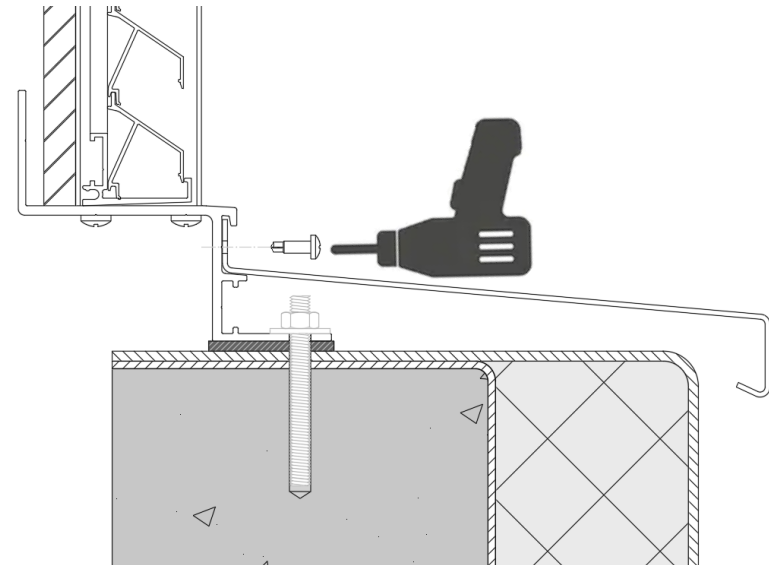
Mounting single module



G0000227: Stainless steel Self-drilling screw 4.8dia.x16 DIN7504-M

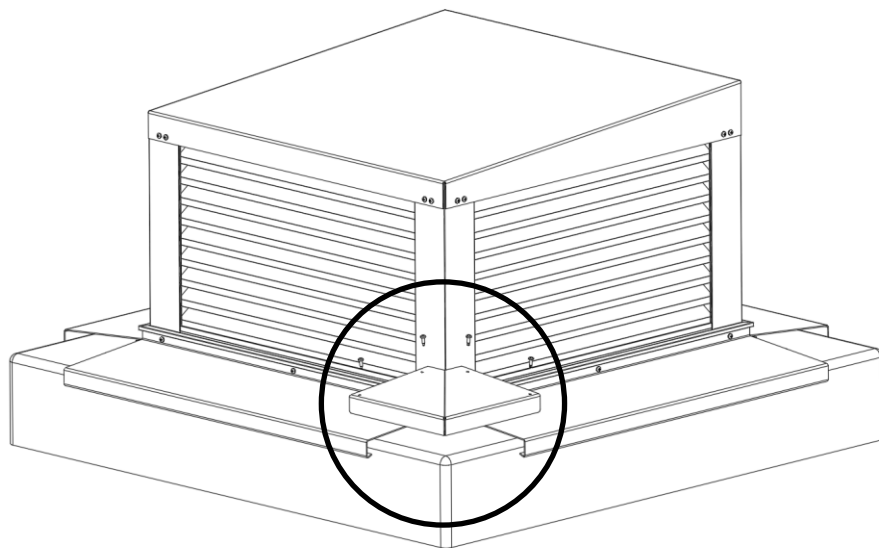


Align the sill section with the base of the roof turret and rotate the sill into place.

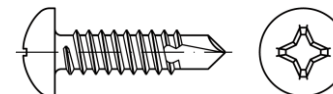


Secure the sill section using the screws supplied. The section is already provided with pre-drilled holes.

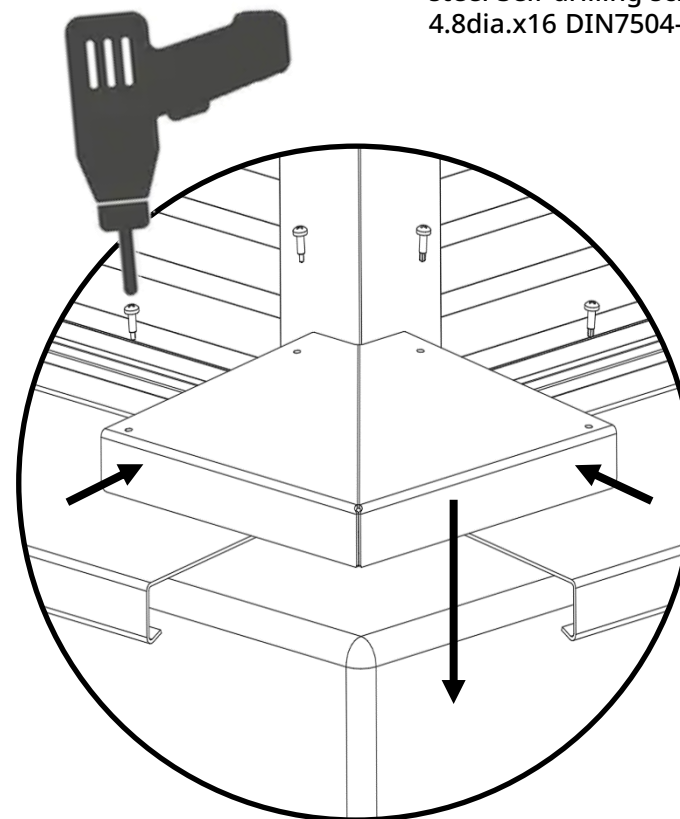
3 Mounting single module



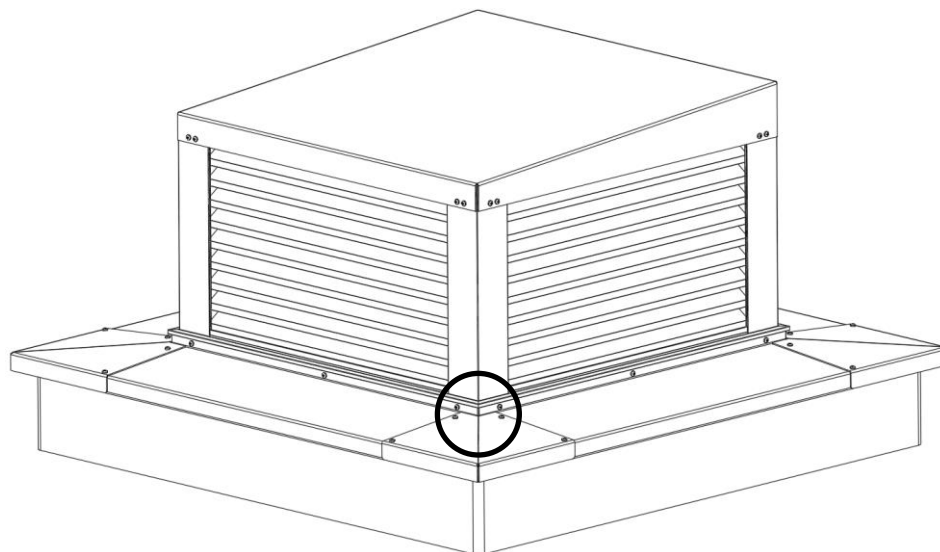
Position the corner piece (G0120025) on the sill section and secure with 4 screws, the holes in the corner piece are already pre-drilled.



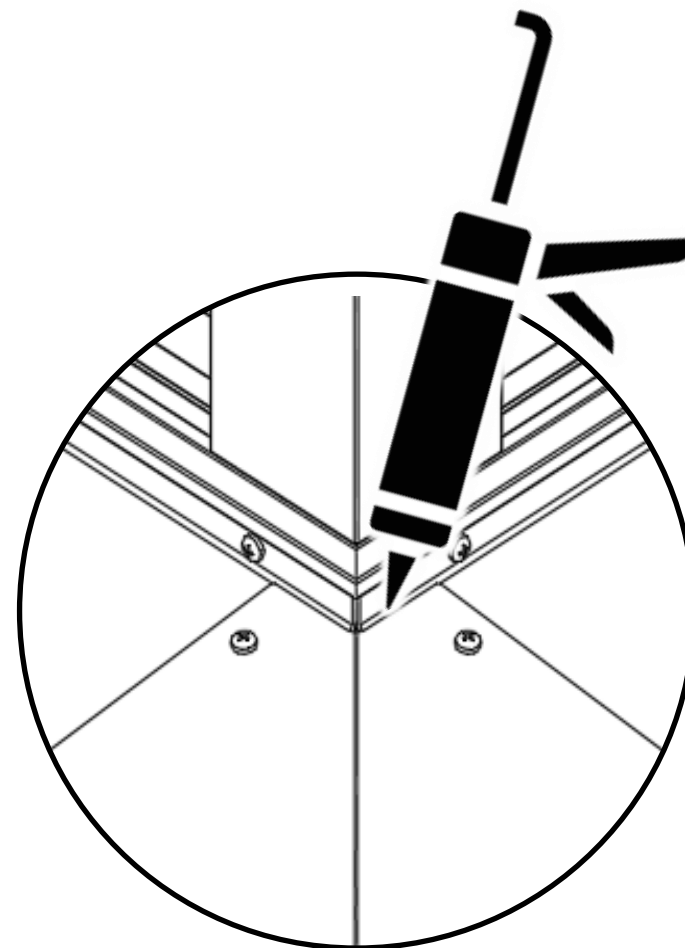
G0000227: Stainless steel Self-drilling screw 4.8dia.x16 DIN7504-M



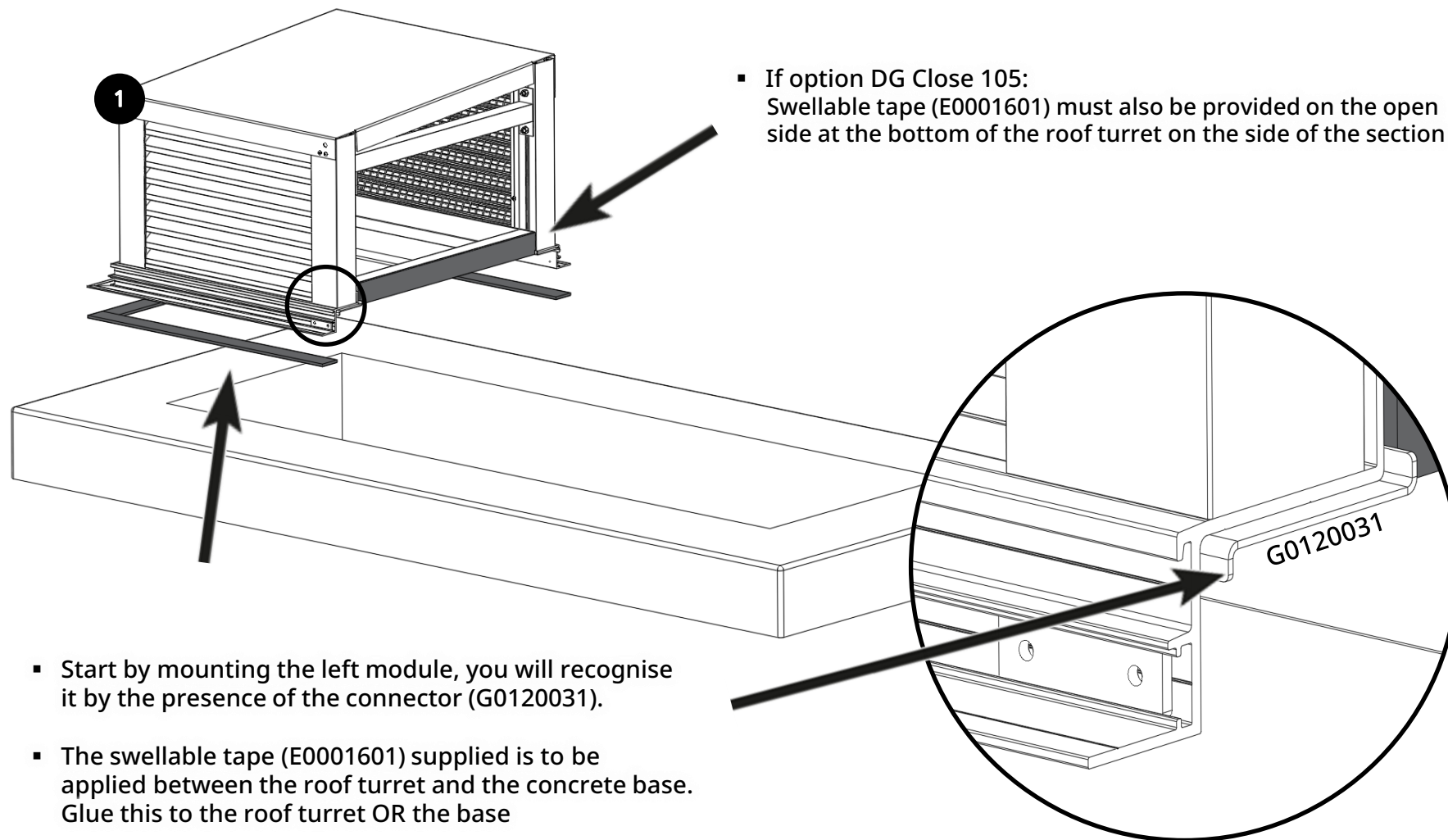
3 Mounting single module



Carefully seal the joint at the upper edge with transparent silicone. (4x)



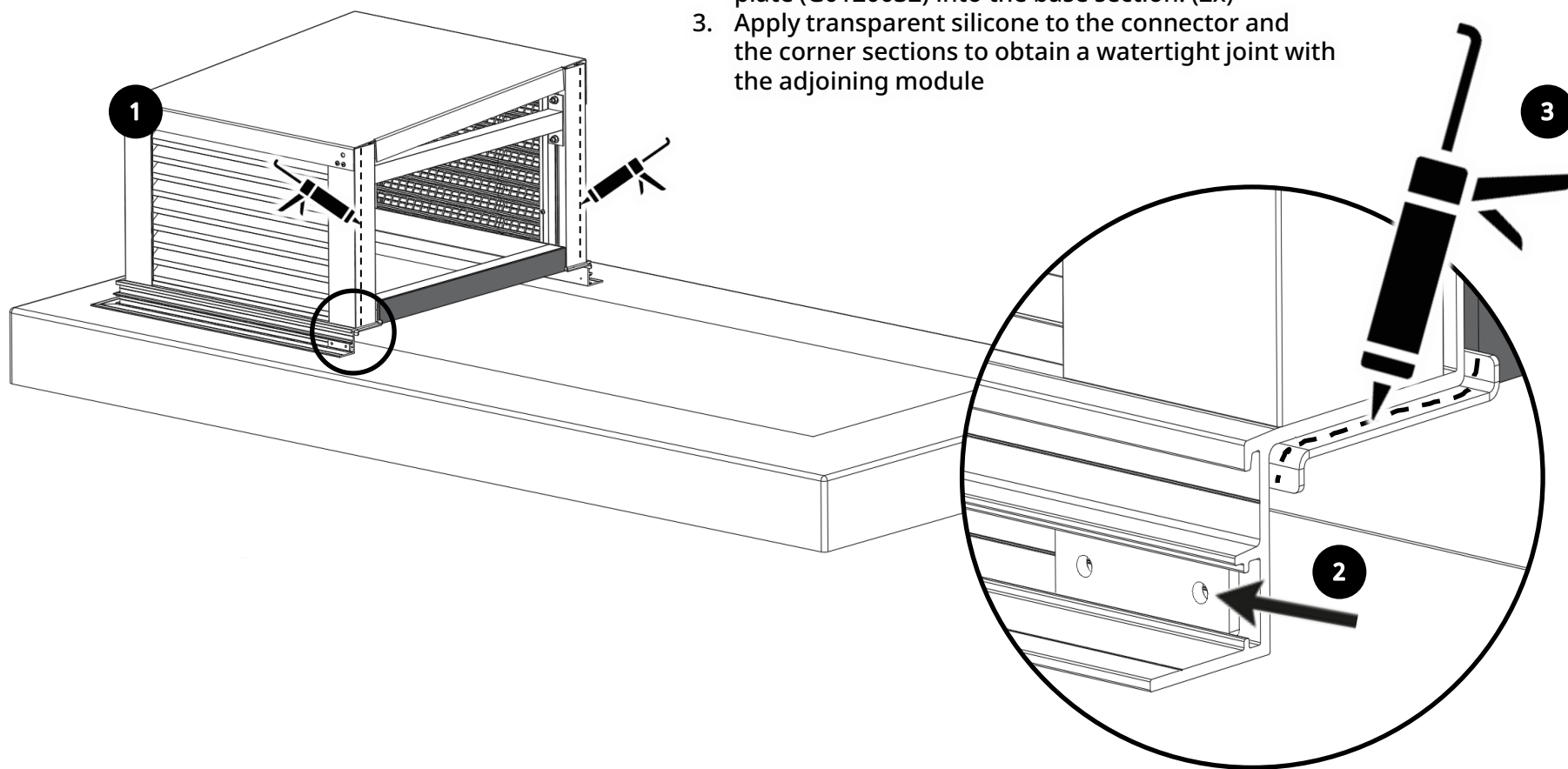
4 Mounting Multiple modules



4

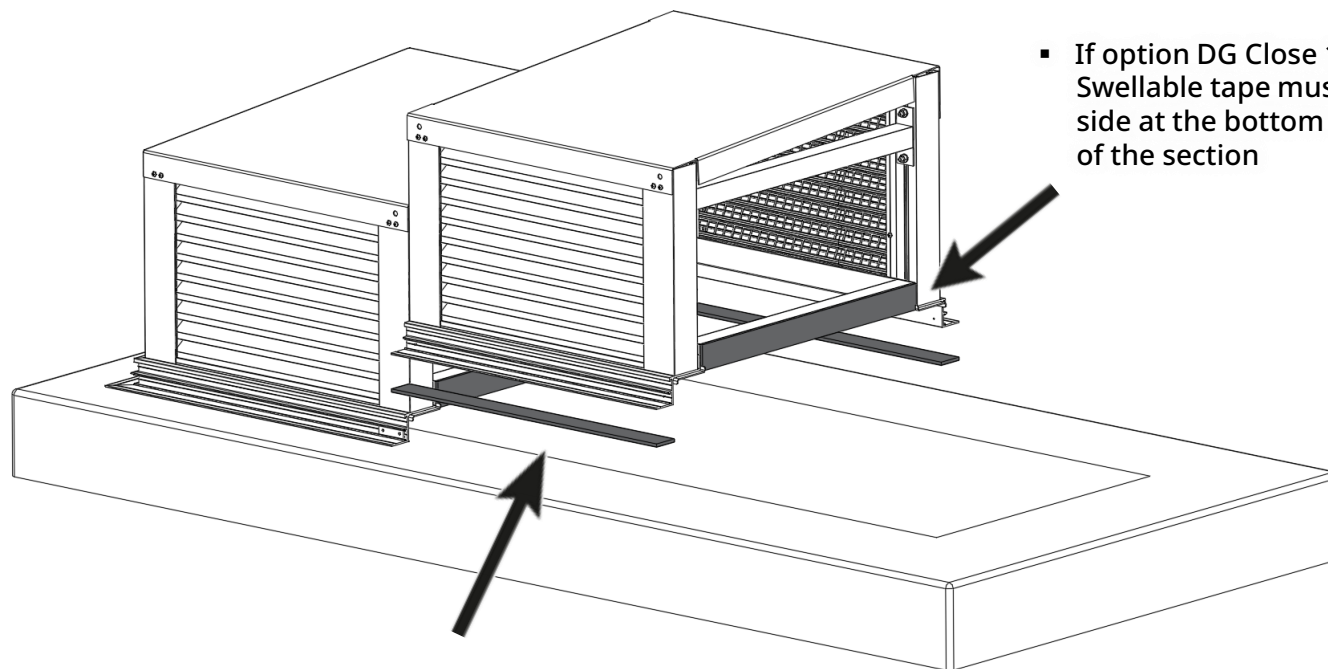
Mounting Multiple modules

1. Start by mounting the left module, you will recognise it by the presence of the connector (G0120031).
2. Position the module on the roof and slide the linking plate (G0120032) into the base section. (2x)
3. Apply transparent silicone to the connector and the corner sections to obtain a watertight joint with the adjoining module



4

Mounting Multiple modules

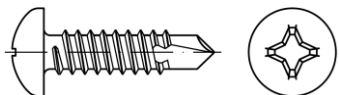
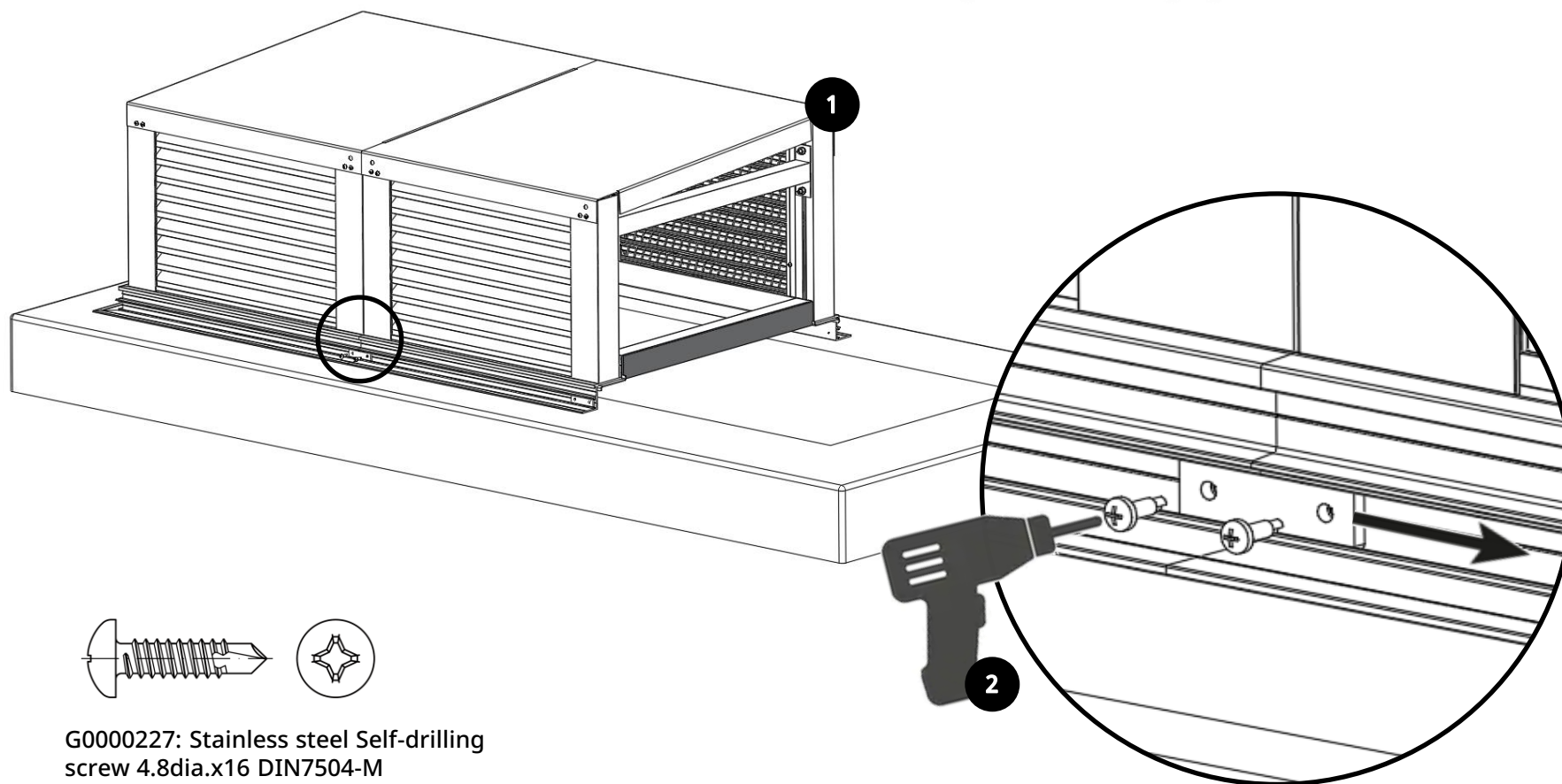


- If option DG Close 105:
Swellable tape must also be provided on one open side at the bottom of the roof turret on the side of the section

- Mount the centre module next to the left-hand module.
- The swellable tape (E0001601) supplied is to be applied between the roof turret and the concrete base. Glue this to the roof turret OR the base

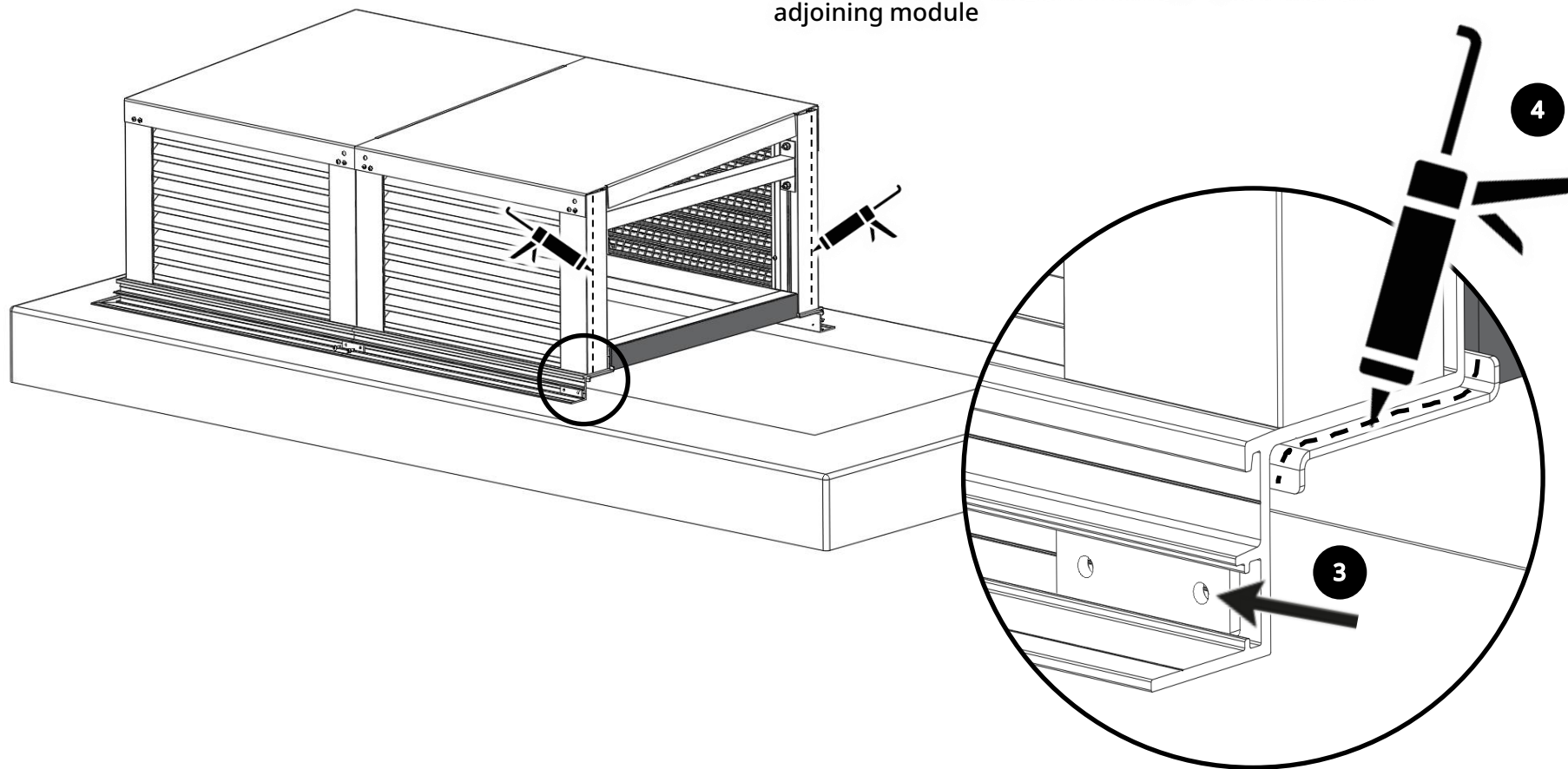
4 Mounting Multiple modules

1. Mount the centre module next to the left-hand module.
2. Link the modules with the linking plate (G0120032).
Pre-drilled holes are provided in the base section.
Use the screws provided for this purpose.



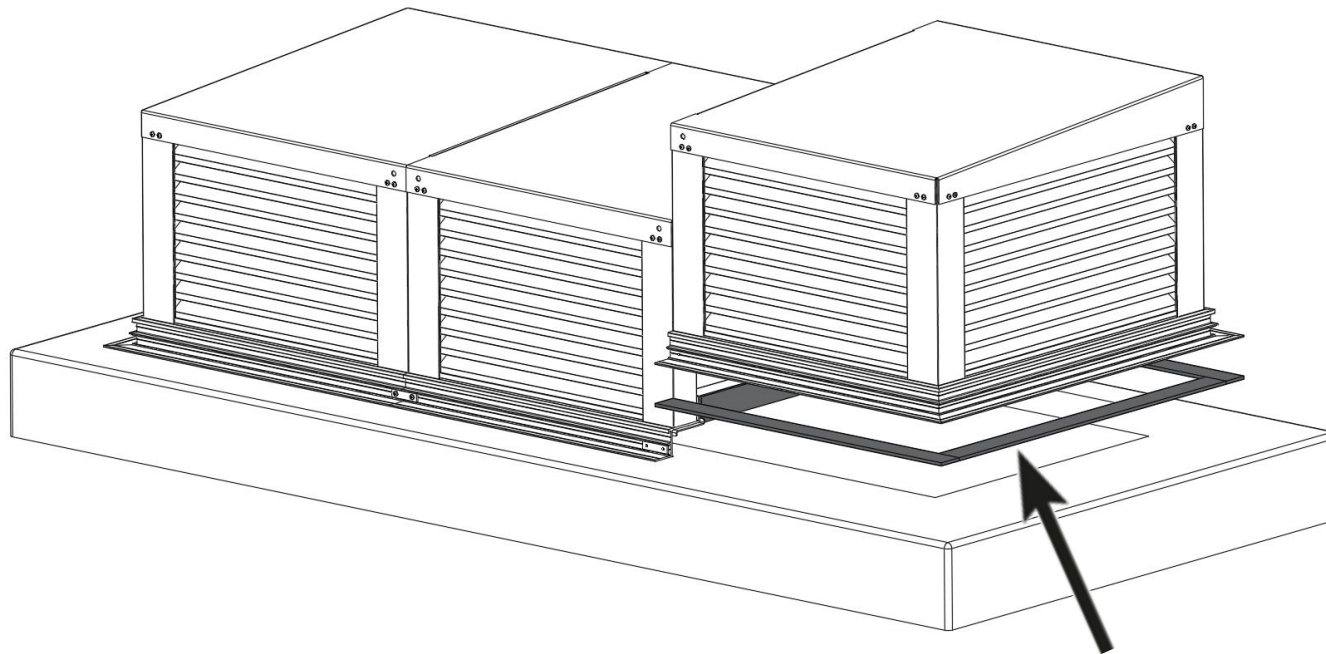
G0000227: Stainless steel Self-drilling screw 4.8dia.x16 DIN7504-M

3. Position the module on the roof and slide the linking plate (G0120032) into the base section. (2x)
4. Apply transparent silicone to the connector and the corner sections to obtain a watertight joint with the adjoining module



4

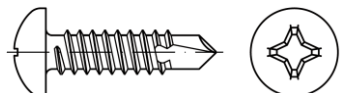
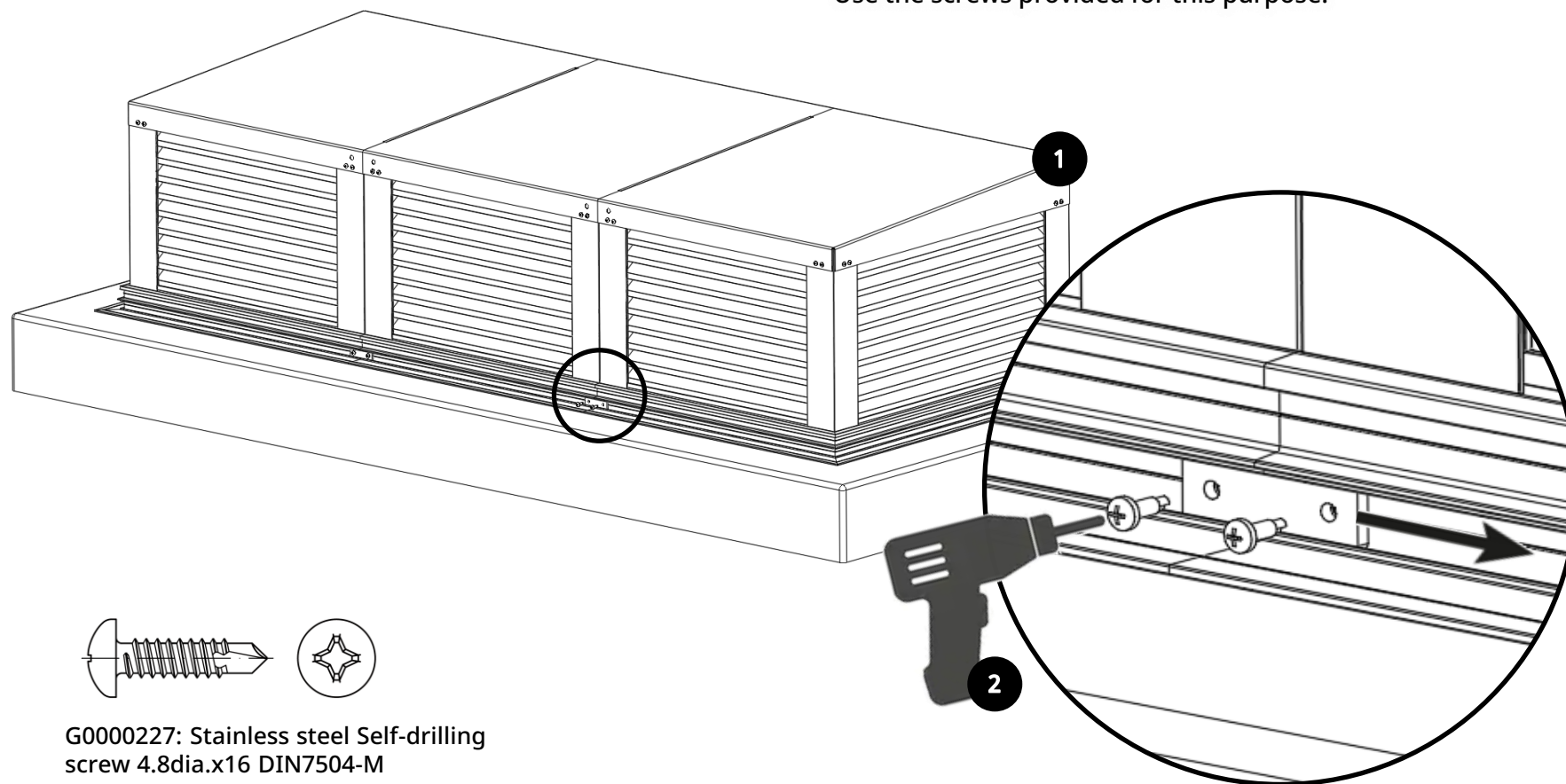
Mounting Multiple modules



- Mount the centre module next to the left-hand module.
- The swellable tape (E0001601) supplied is to be applied between the roof turret and the concrete base. Glue this to the roof turret OR the base

4 Mounting Multiple modules

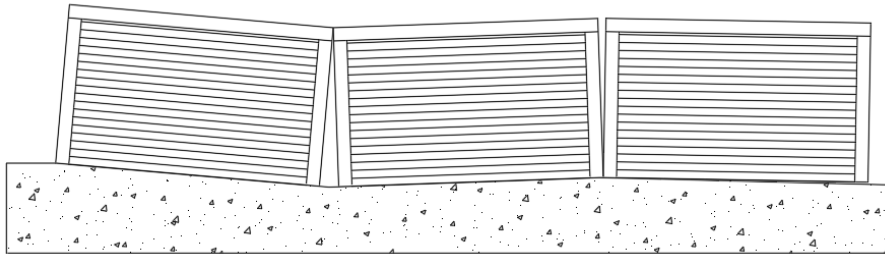
1. Mount the right module adjacent to the centre module.
2. Link the modules with the linking plate (G0120032).
Pre-drilled holes are provided in the base section.
Use the screws provided for this purpose.



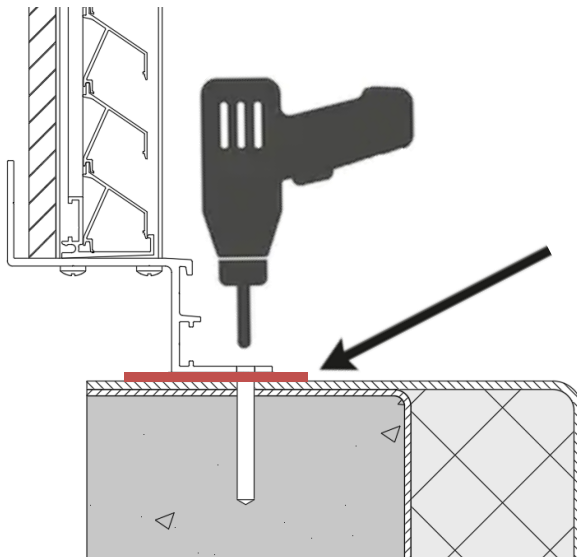
G0000227: Stainless steel Self-drilling screw 4.8dia.x16 DIN7504-M

4

Mounting Multiple modules



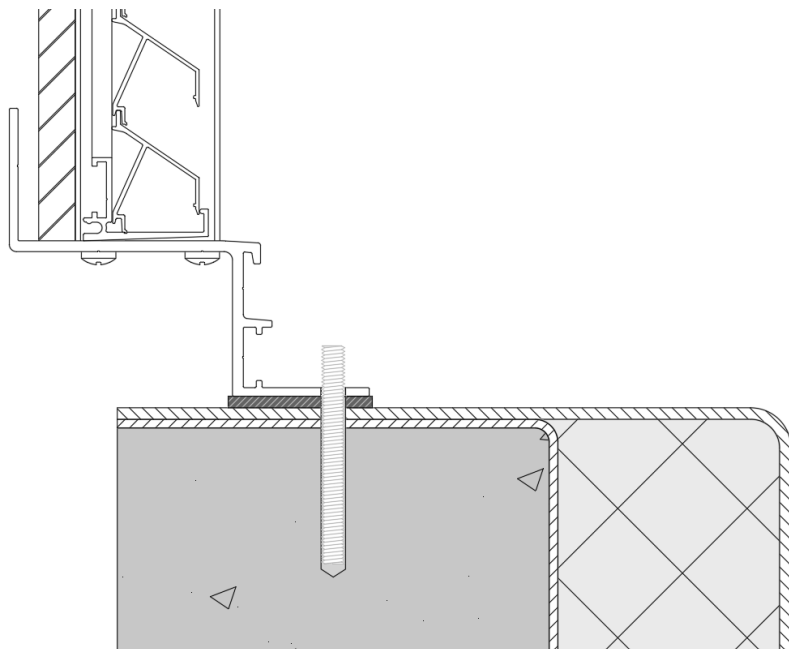
- In the case of a very uneven surface:
 - Support the base section using filler/shimming blocks
 - Fit support at the fixing locations, every 500 mm



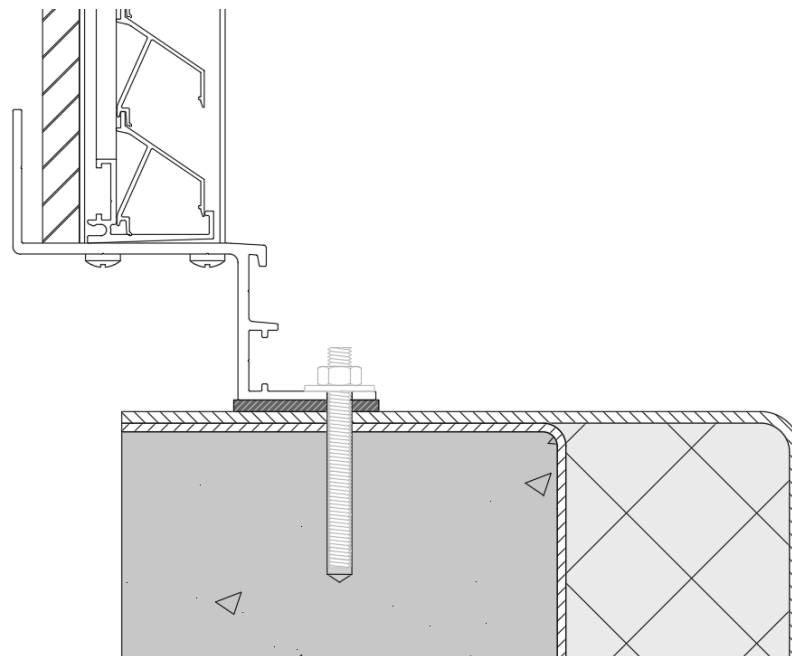
- Drill holes around the roof turret, through the flange into the concrete. The holes must be large enough for M8 bolts.
- Not more than 1000 mm between the holes and at least 2 per side

4

Mounting multiple modules



Anchor the stud (not supplied by Duco) in the concrete structure.
(e.g.: Chemical anchoring/injection mortar)

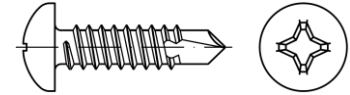


Secure the roof turret with a nut and washer
(not supplied by Duco)

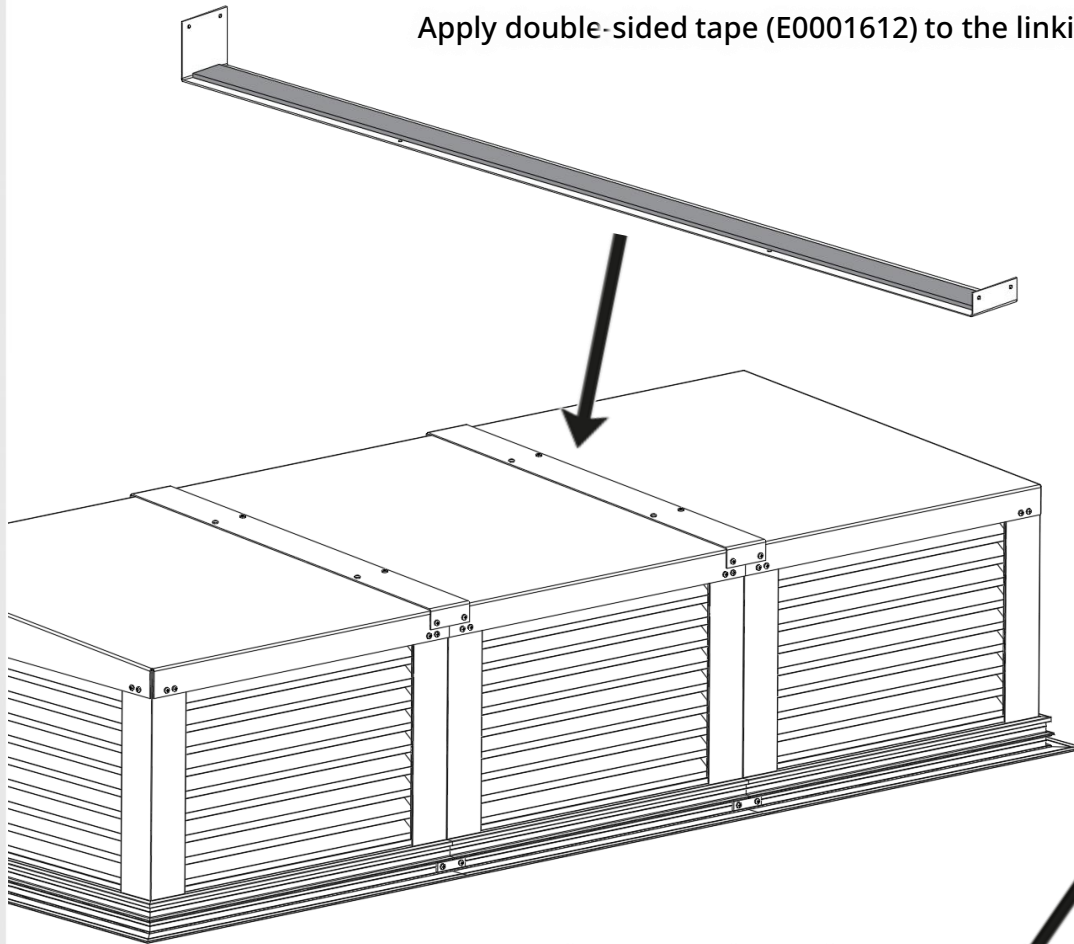
4

Mounting Multiple modules

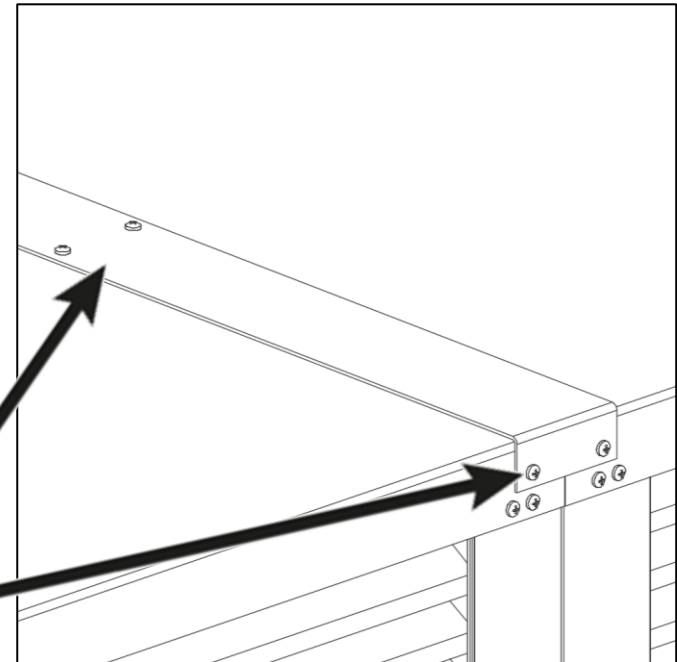
Apply double-sided tape (E0001612) to the linking plate (G012007)



G0000227: Stainless steel Self-drilling screw 4.8dia.x16 DIN7504-M

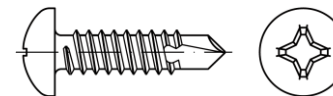


Screw the strip to the roof turret securely using self-drilling screws 4.8dia.x16 (G0000227)

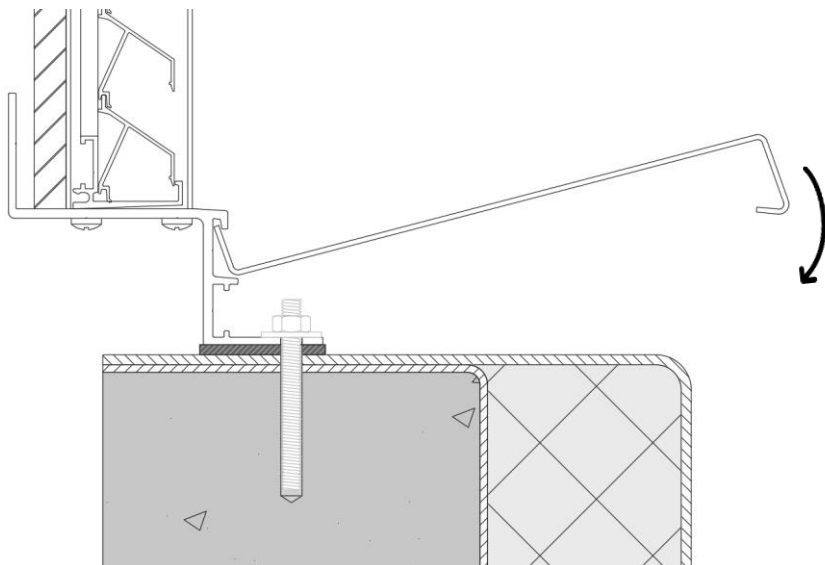


4

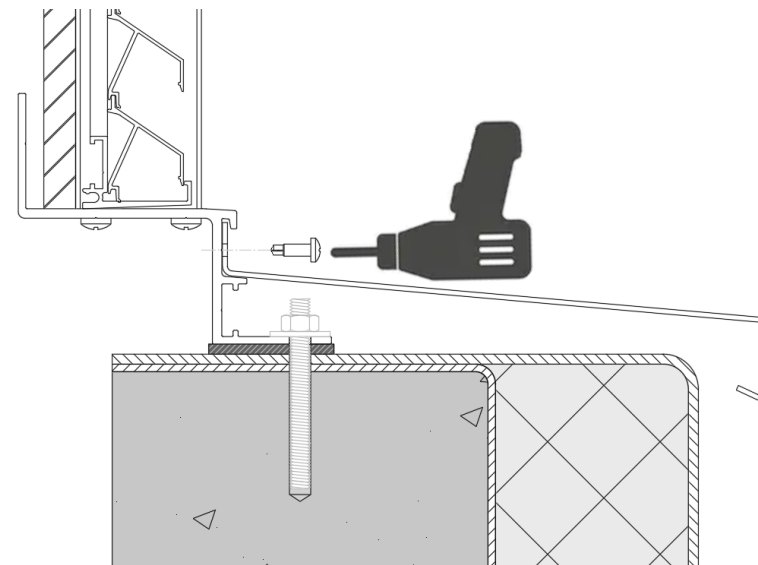
Mounting Multiple modules



G0000227: Stainless steel Self-drilling screw
4.8dia.x16 DIN7504-M



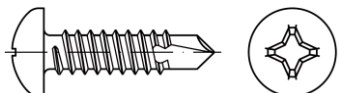
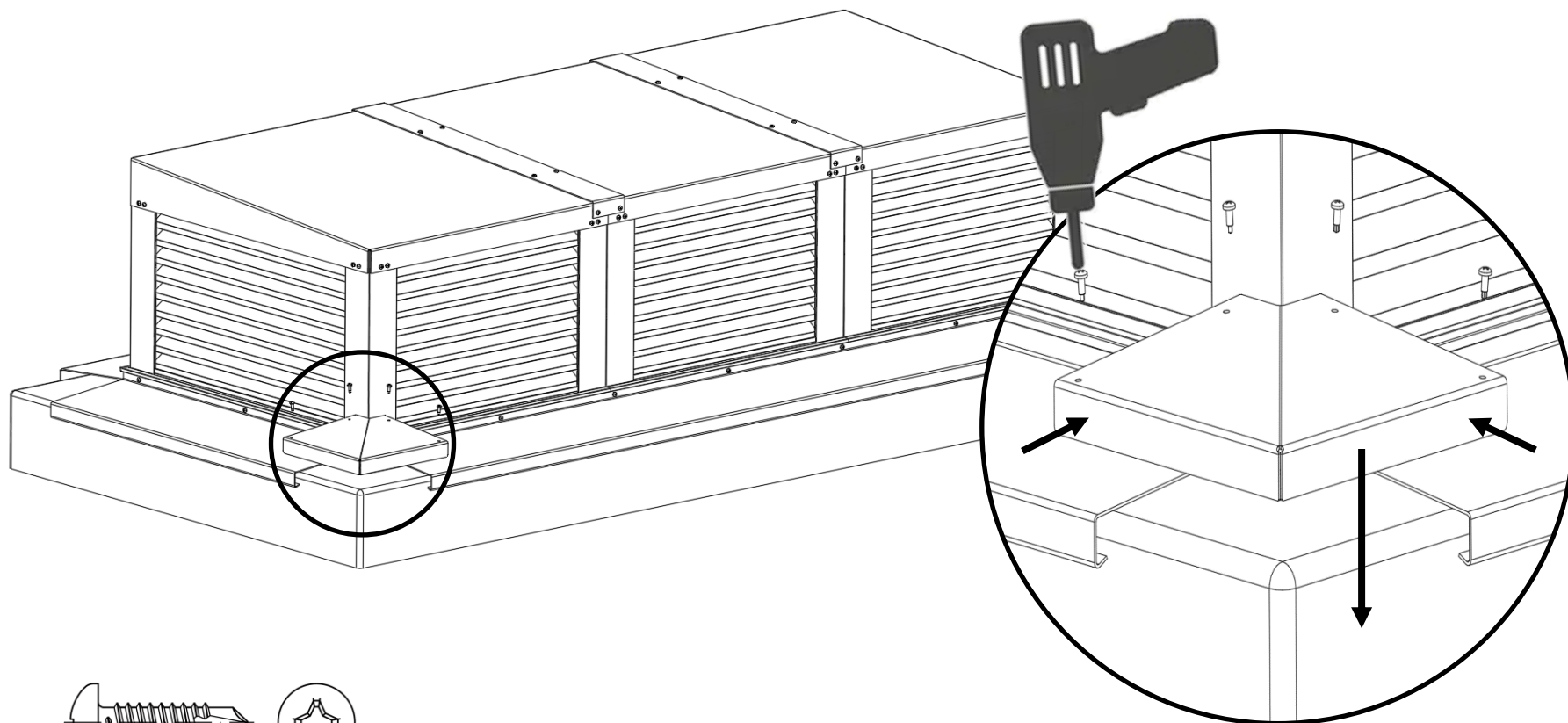
Align the sill section with the base of the roof turret and rotate the sill into place.



Secure the sill section using the screws supplied. The section is already provided with pre-drilled holes.

4

Mounting Multiple modules

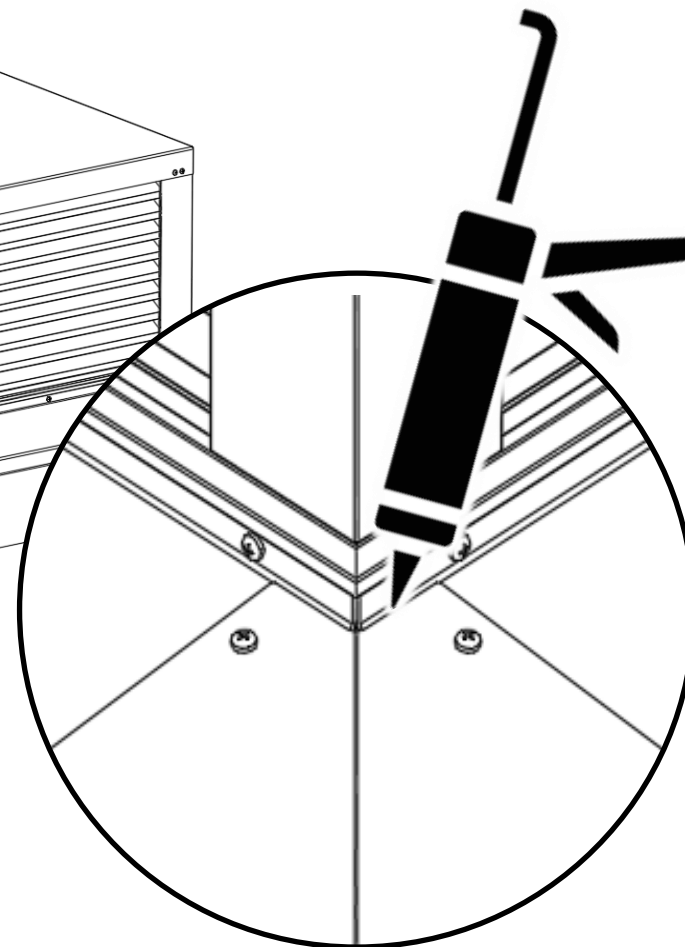
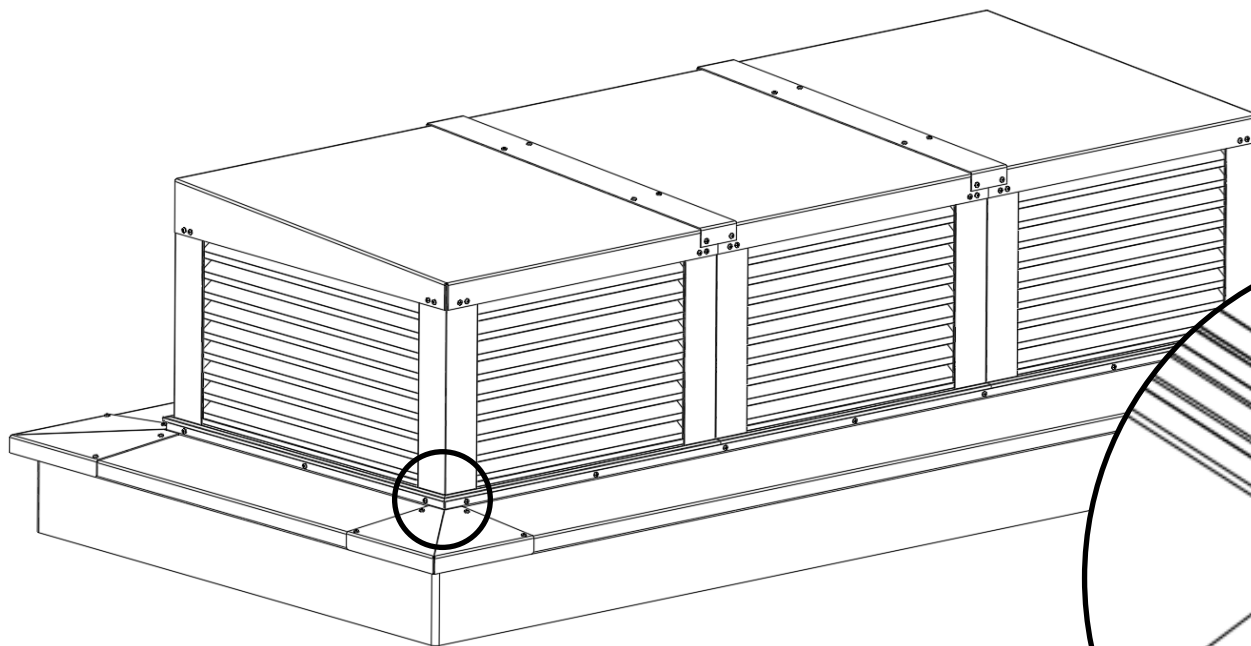


G000227: Stainless steel Self-drilling screw 4.8dia.x16 DIN7504-M

Position the corner piece (G0120025) on the sill section and secure with 4 screws, the holes in the corner piece are already pre-drilled.

4

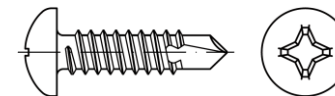
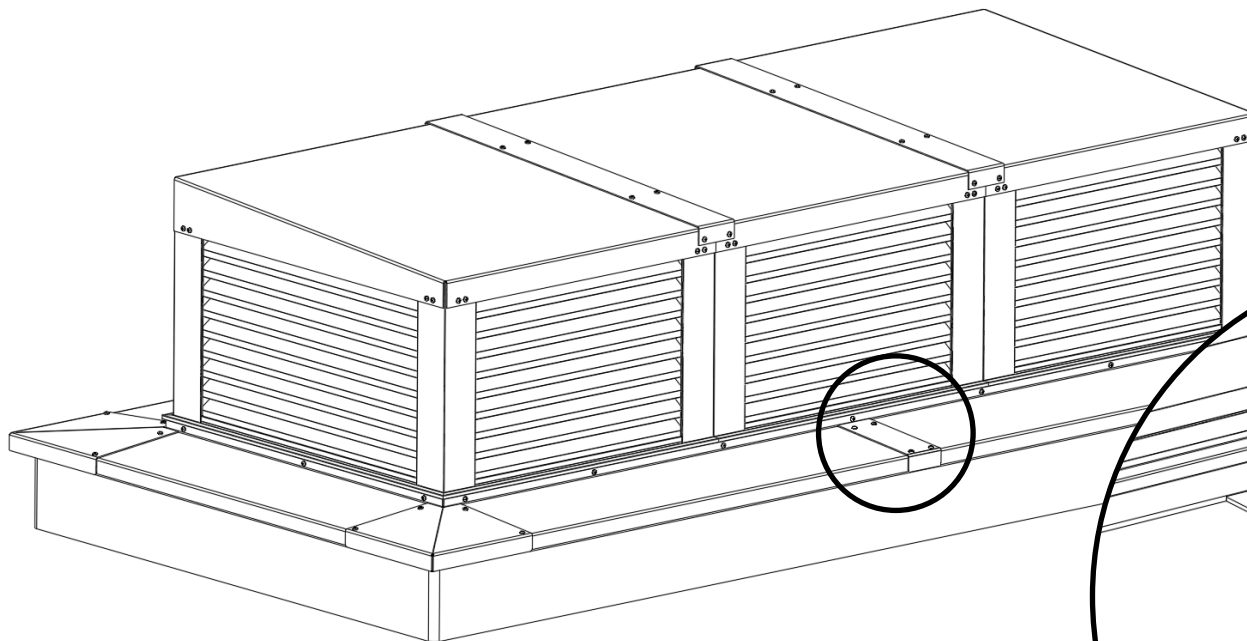
Mounting Multiple modules



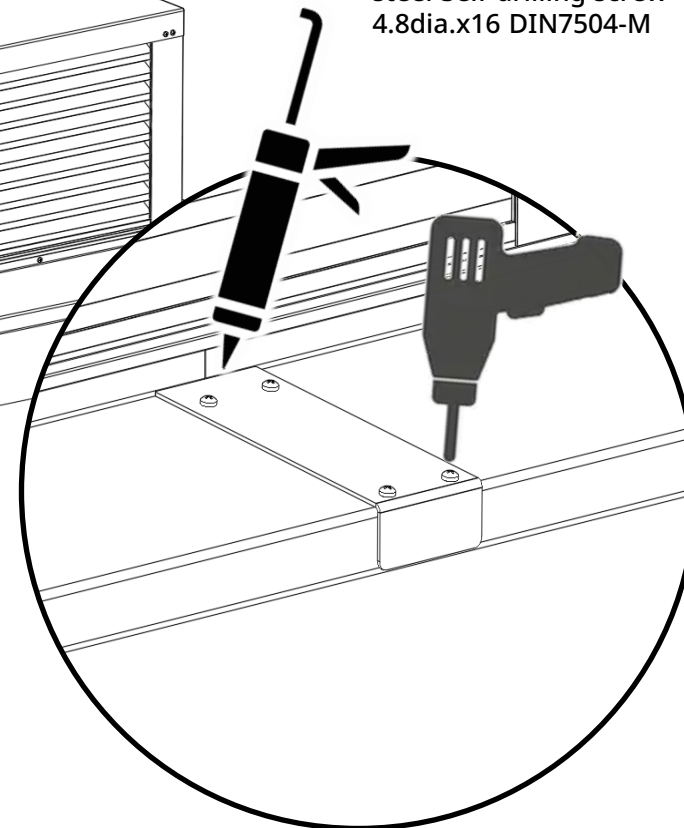
Carefully seal the joint at the upper edge with transparent silicone. (4x)

4

Mounting Multiple modules



G000227: Stainless steel Self-drilling screw 4.8dia.x16 DIN7504-M



If the total length of the sill section is greater than 3m, it will consist of 2 separate parts. These parts are to be linked using connector G0120035.

Screw them securely using the screws provided, seal the top with transparent silicone