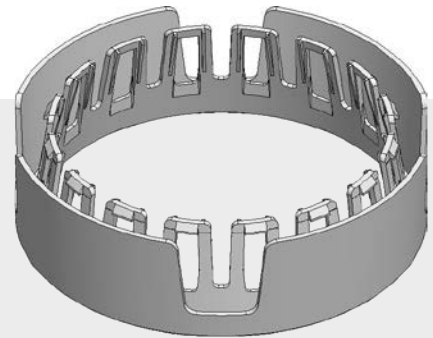


TECHNICAL DATA SHEET

Duct flange \varnothing 125 mm

The Duct Flange is a handy tool for quickly connecting flexible ducts or silencers to a spigot \varnothing 125 mm of a DucoBox. Thanks to the fast and patented self-clamping "Push & Go" fastening principle, the installer saves a lot of time during duct mounting.



Specifications

Item number:	0000-4728
Dimensions (mm):	Outer diameter: 145 Height: 40
Compatibility:	DucoBoxes with duct connection D125
Traction:	Max. 5 kg (provide mounting brackets to keep pulling force as low as possible)
Connection:	"Push & Go" through a self-clamping mounting principle
Range of application:	Flexible ventilation ducts with connection flange thickness < 2 mm and inner diameter D127 mm Flexible silencers with connection flange thickness < 2 mm and inner diameter D127 mm
Material:	ABS
Colour:	White
Weight:	60 g
Packaging:	Unpacked

