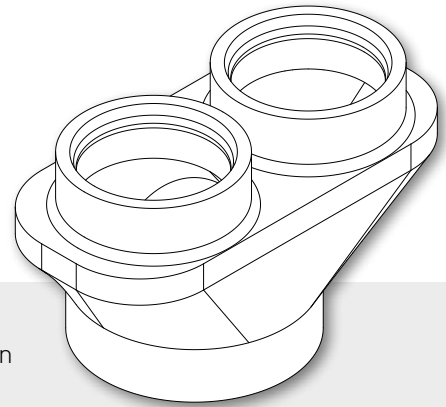


## TECHNICAL DATA SHEET

# Coupling device

DucoBox Y-piece 2 x 125 → 1 x 160



This component allows a  $\varnothing$  160 mm duct to be connected to two connection openings ( $\varnothing$  125 mm) on the DucoBox Silent and DucoBox Silent Connect. Splitting the flow between two ducts reduces resistance, resulting in quieter and more energy-efficient operation.

## Specifications

<b>Item number</b>	4334
<b>Dimensions (W x H x D)</b>	368 x 230 x 224,1 mm
<b>Weight</b>	550 g
<b>Material</b>	EPP
<b>Colour</b>	Black
<b>Suitable for use with</b>	DucoBox Silent (any version)

