

# Fitting instructions

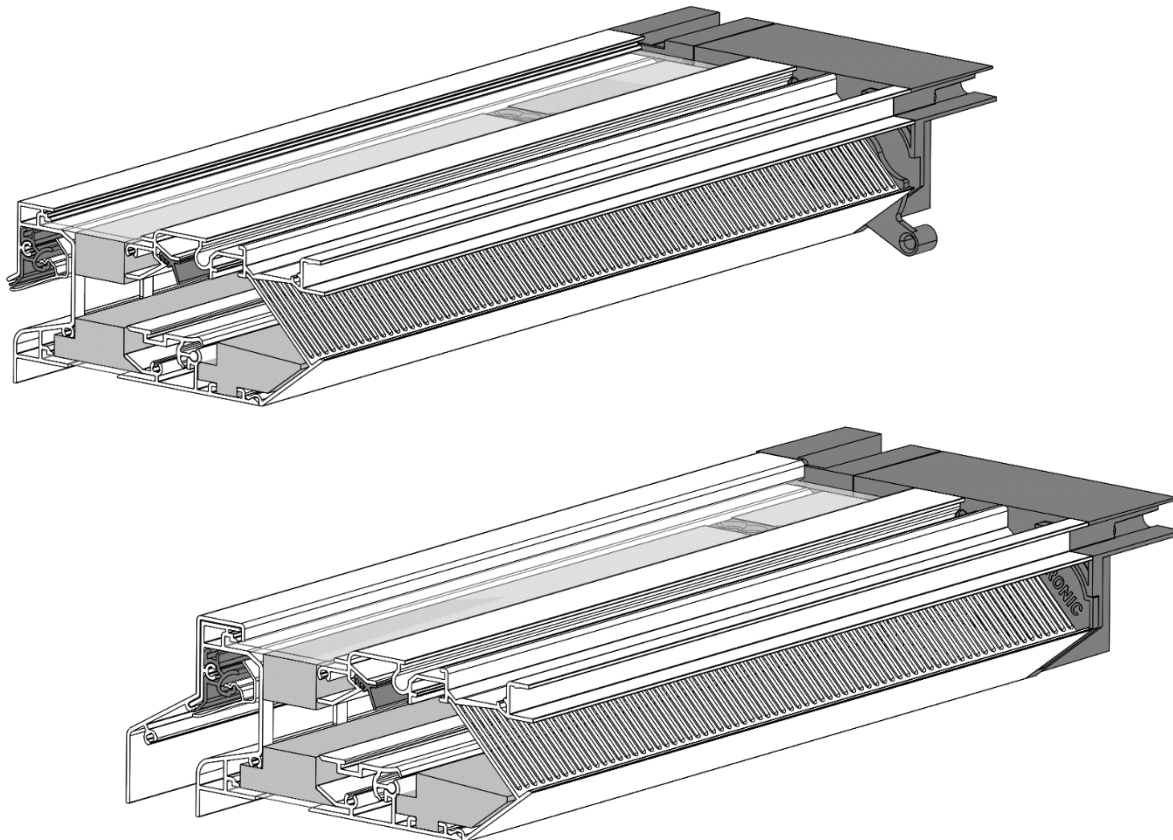
# TopVent-TronicVent-SkyVent-TronicSkyVent

L0004236

16/12/2021

## CONTENTS

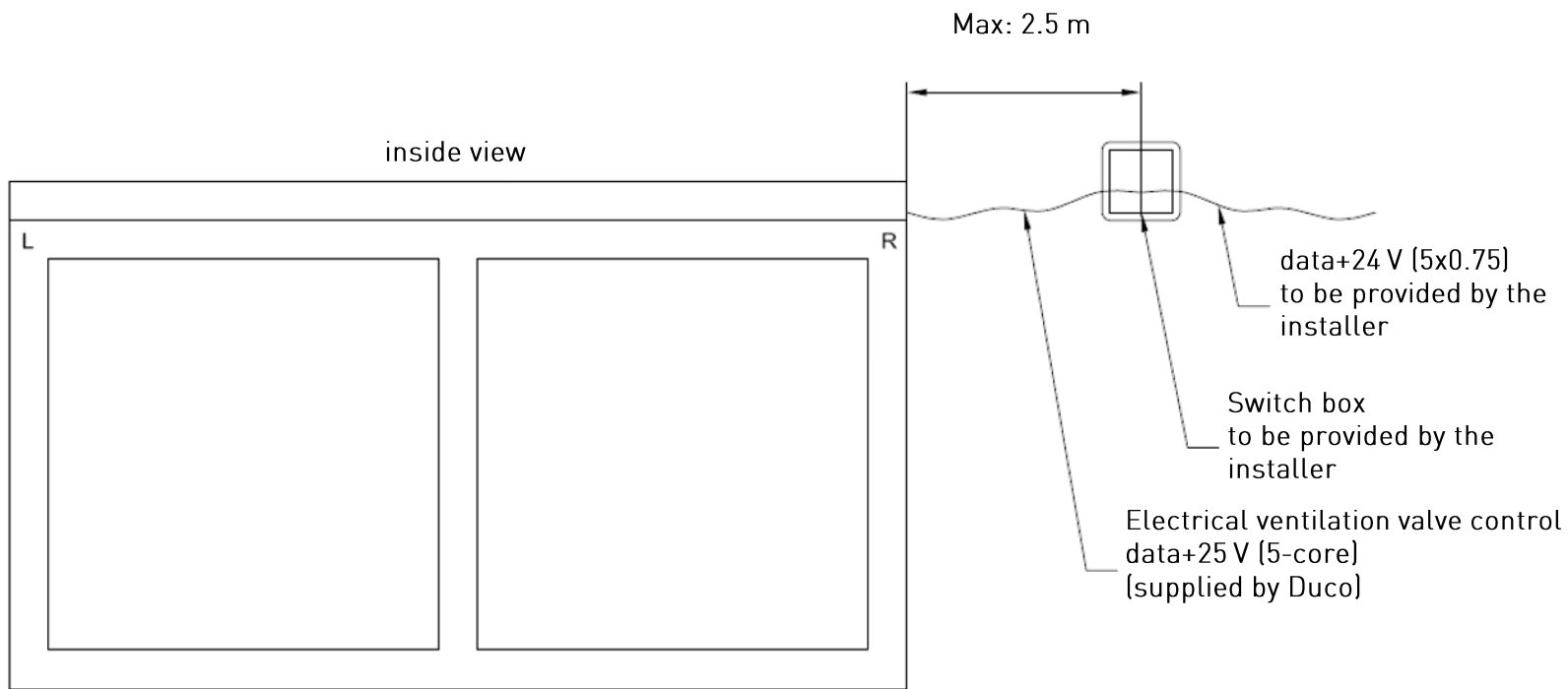
1. Power supply
2. Fitting with anchors
3. Fitting with Buildex screws



# 1

## Power supply

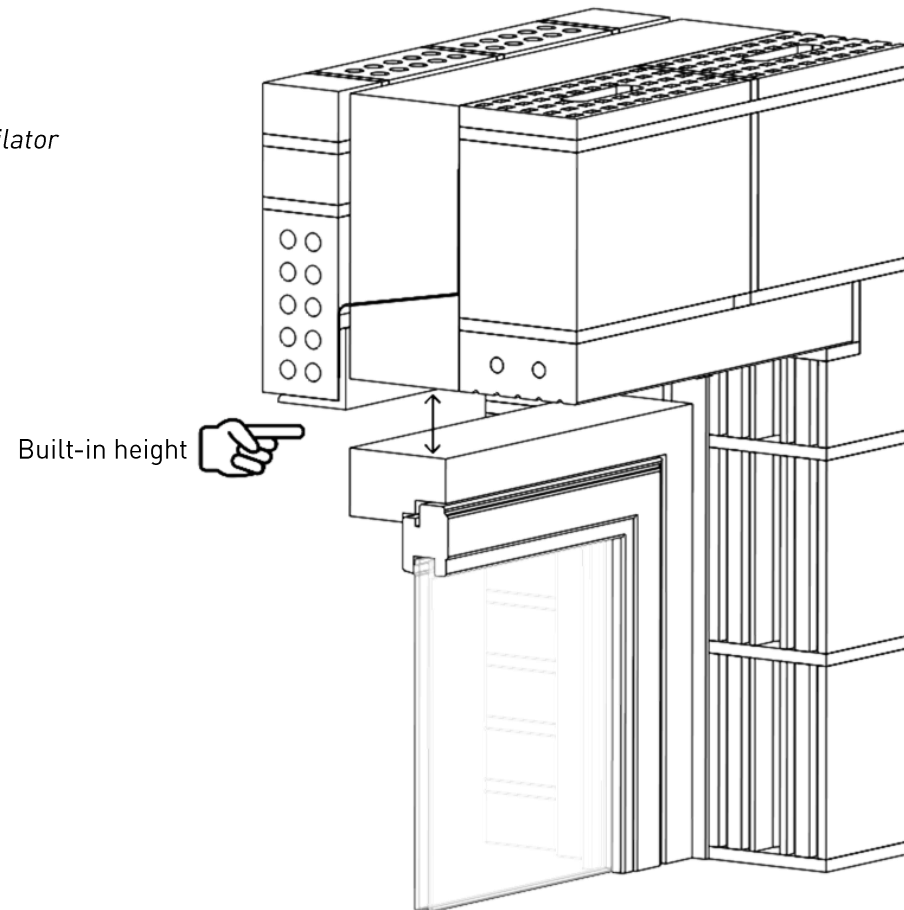
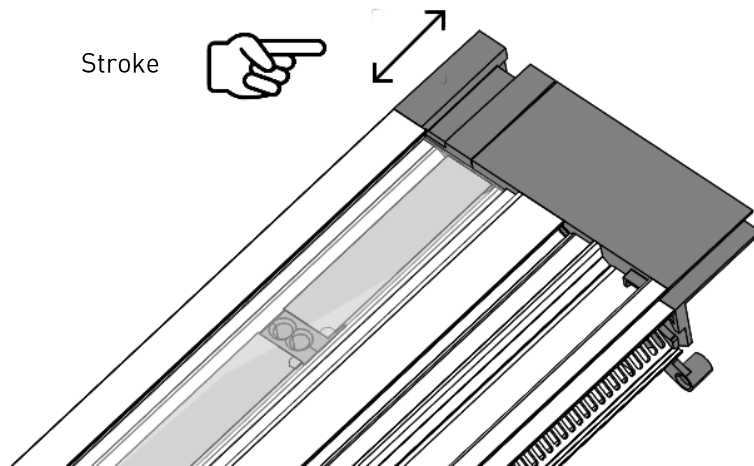
For Tronic variants only



## 2

## General information

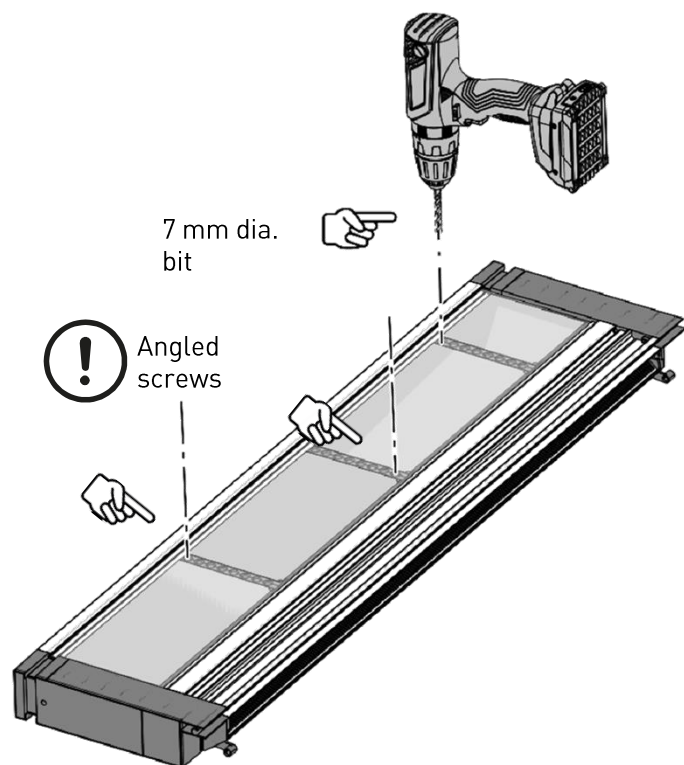
TopVent & TronicVent installation height: 65 mm  
SkyVent & TronicSkyVent installation height: 70 mm  
Ventilator length = window width  
travel = 40 mm max. each side  
*Note: If the window travel is greater than 40 mm, then the ventilator length needs to be less than the window width.*



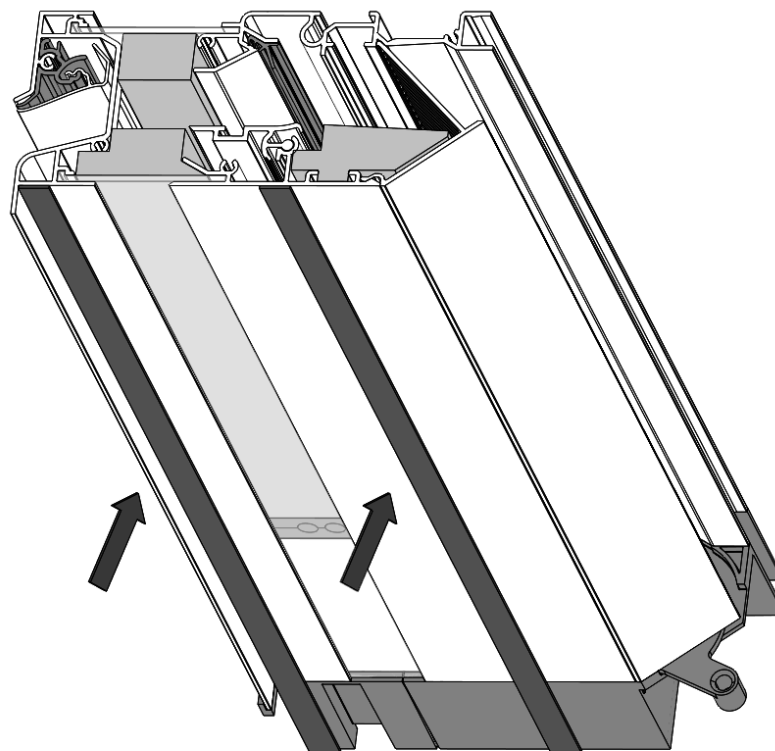
### 3

## Fitting with anchors

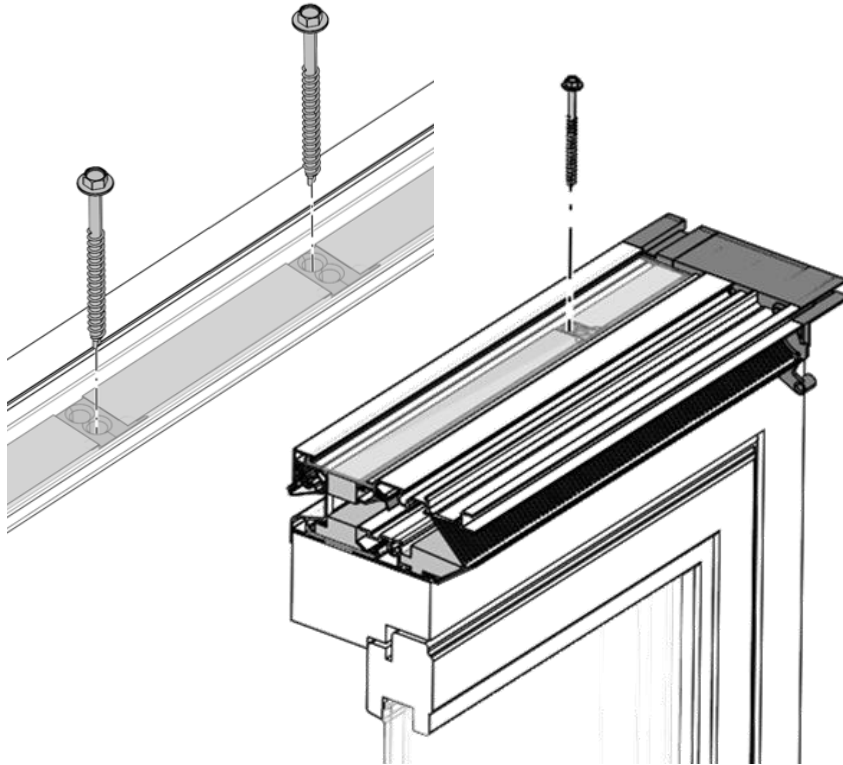
For each connecting piece, drill 1 hole through the ventilator from the top and **through the connecting piece hole** at the positions where the ventilator will be fixed to the window. Use a 7 mm dia. bit for this. **Angle the holes at the outermost positions** or as far as possible apart if the window does not allow the outermost positions.



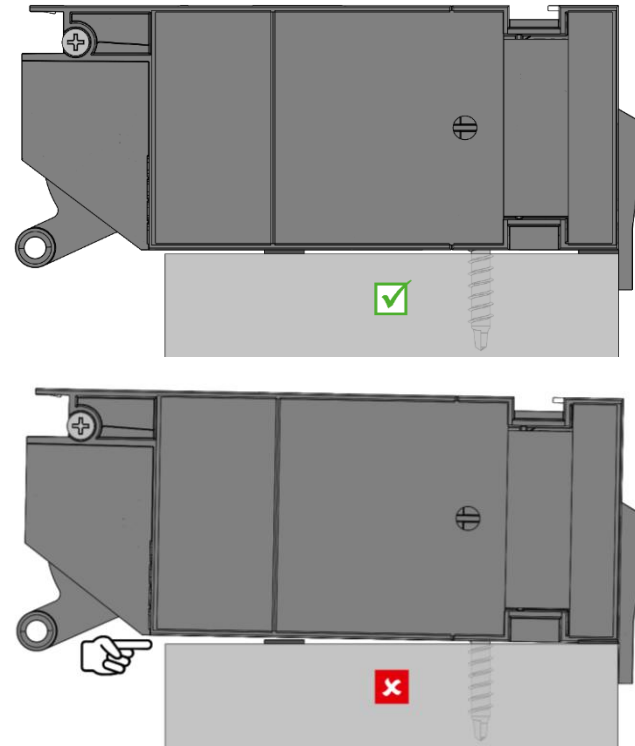
Apply the swellable tape (preferably: 15/2-6 swellable tape) to the underside of the ventilator. Swellable tape needs to be applied to the inside and outside of the ventilator.



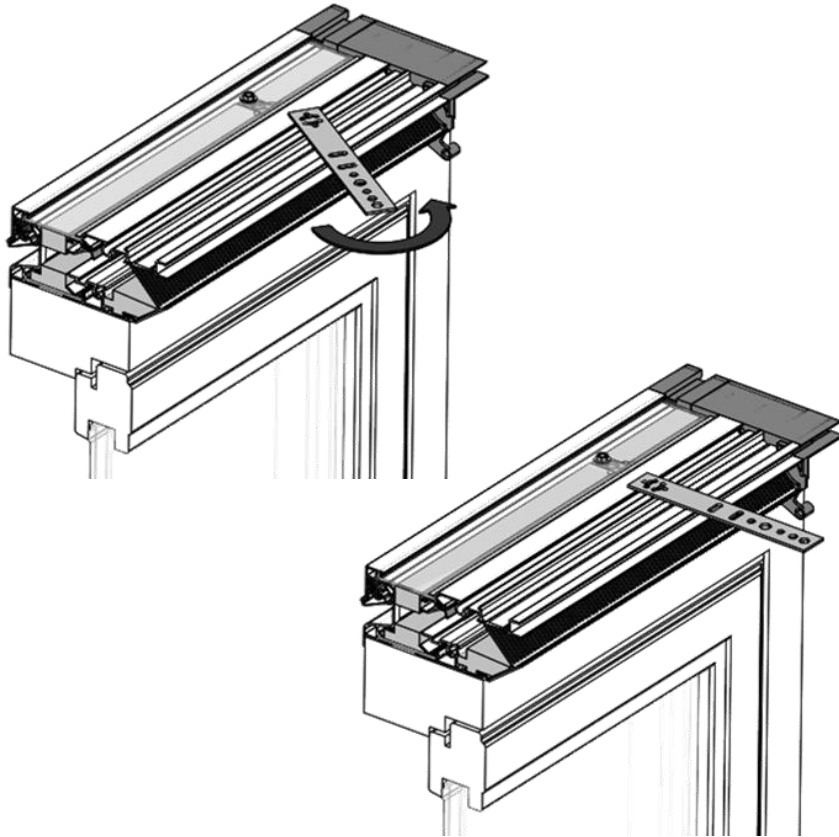
Keep the ventilator in place using a screw clamp at the ends. Next, screw the ventilator through the predrilled holes **through each connecting piece** down onto the window using the screws supplied. Ensure that the self-tapping screws (DIN 7504K 6.3 dia. x 80 mm) are tightened to a **maximum of 3 Nm**.



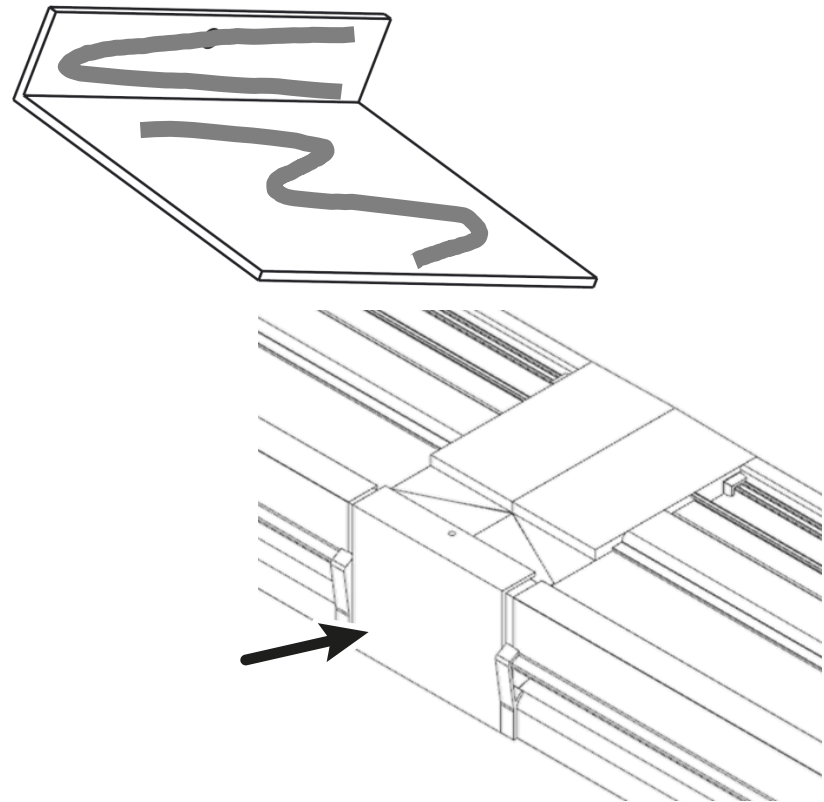
The ventilator must not show any twist on the window. Shim as necessary until the ventilator is perfectly horizontal. Otherwise Duco cannot offer any guarantee that the ventilator will function correctly.



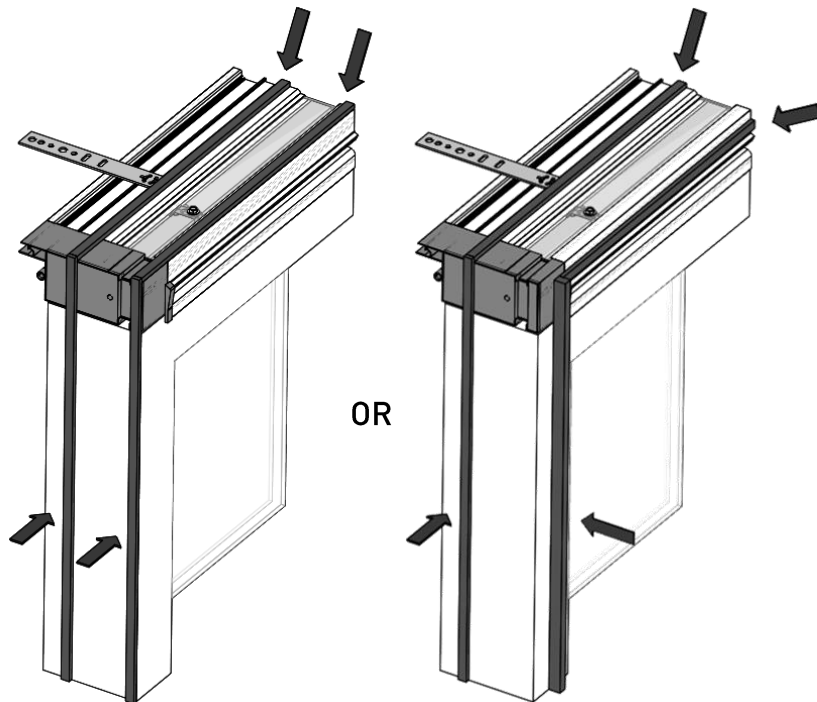
Turn the steel dowels to secure them in the ventilator anchor channel, do this at each tie. Space them out **no more than 750 mm apart**, starting at the outermost ties.



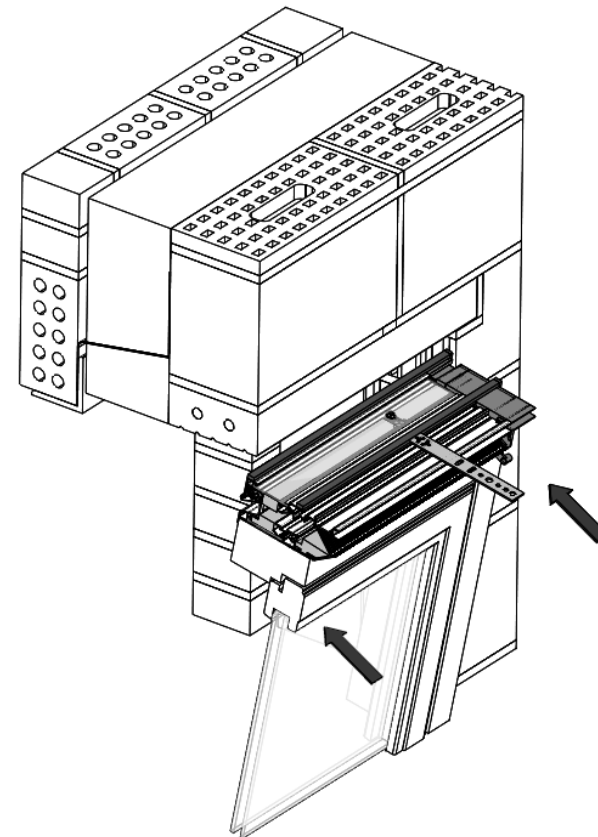
If 2 ventilators need to be linked. Take a 91 mm link plate and apply adhesive sealant on the inside. Apply it on the outside between the 2 ventilators in order to finish off the joint.



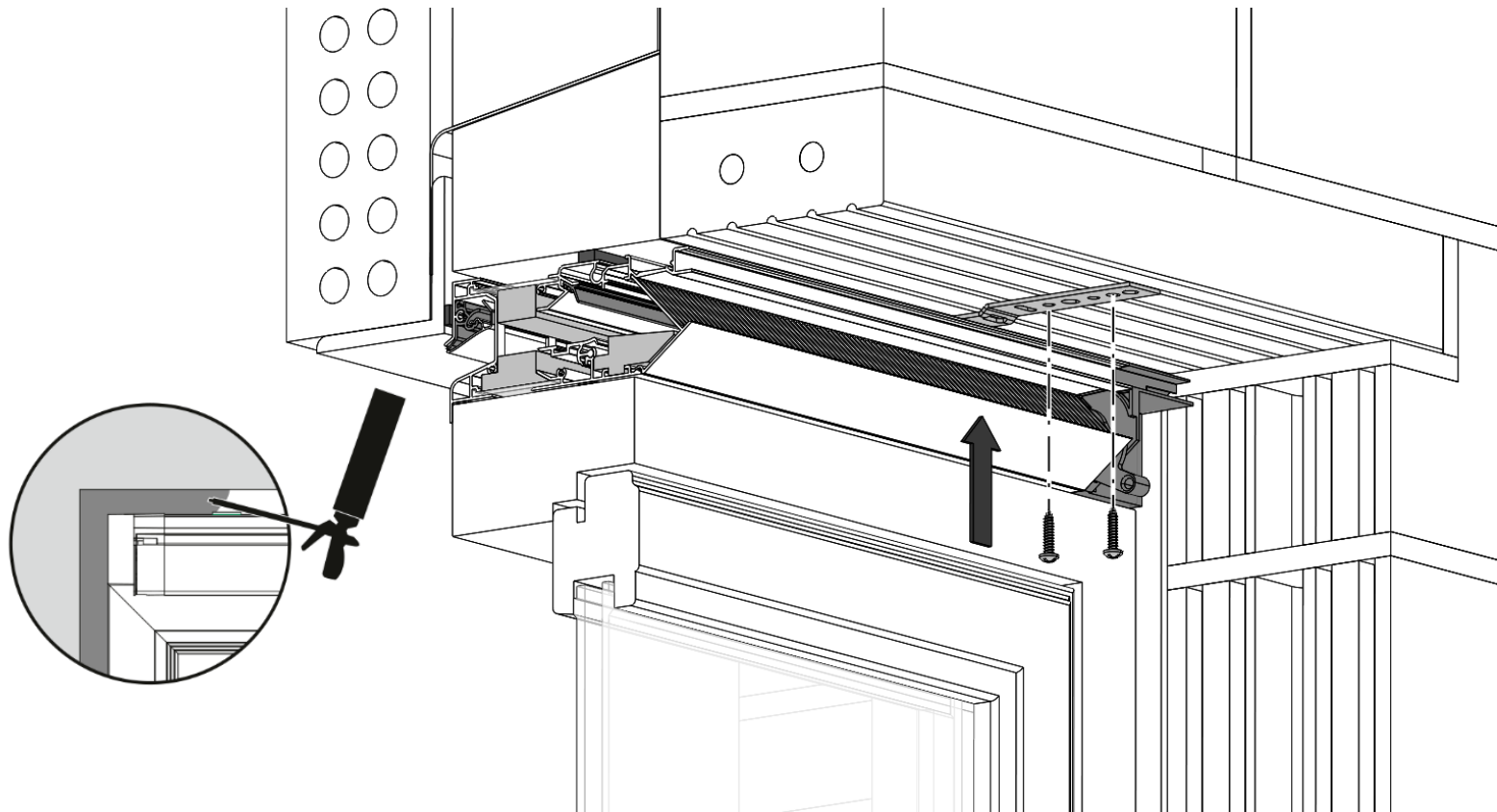
Apply the swellable tape (preferably: 15/2-6 swellable tape) to the inside all around the window and the ventilator in the same position as the swellable tape between the window and the ventilator. Apply a 2<sup>nd</sup> run of swellable tape on the outside either all around the window and the ventilator or on the outside (if the window and ventilator are positioned behind the wall).



With the Tronic version, pass the cable through the conduit. Tilt the window into the opening.

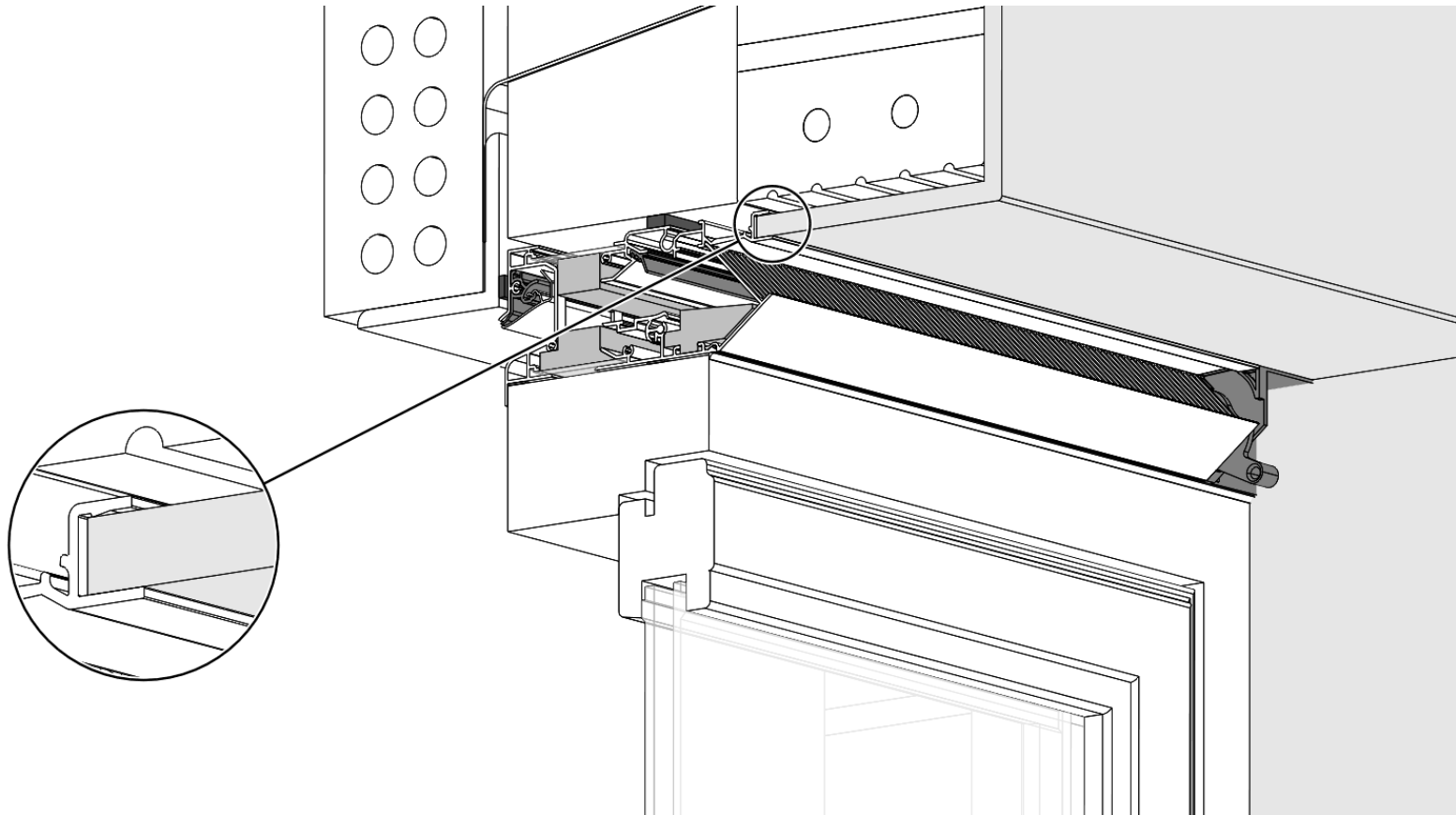


Shim the ventilator and structure above it every 250 mm. Then fix the anchors to the structure (type of fixing dependent on the structure). Check again to ensure that the ventilator is not showing any twist. Spray PUR all around the opening to make the entire unit airtight.

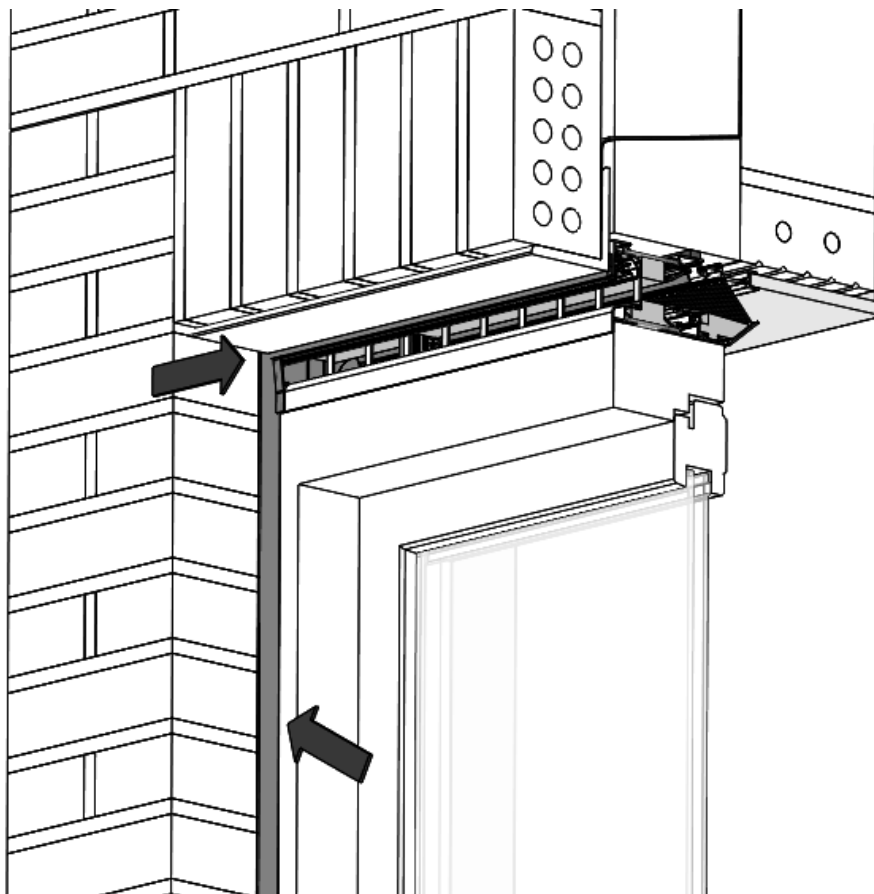




Finish off the inside completely. The removable section must not be opened or removed when applying the plaster finish. Avoid getting plaster in the ventilator! The protective tape must not be removed until after the ventilator has been finished completely.



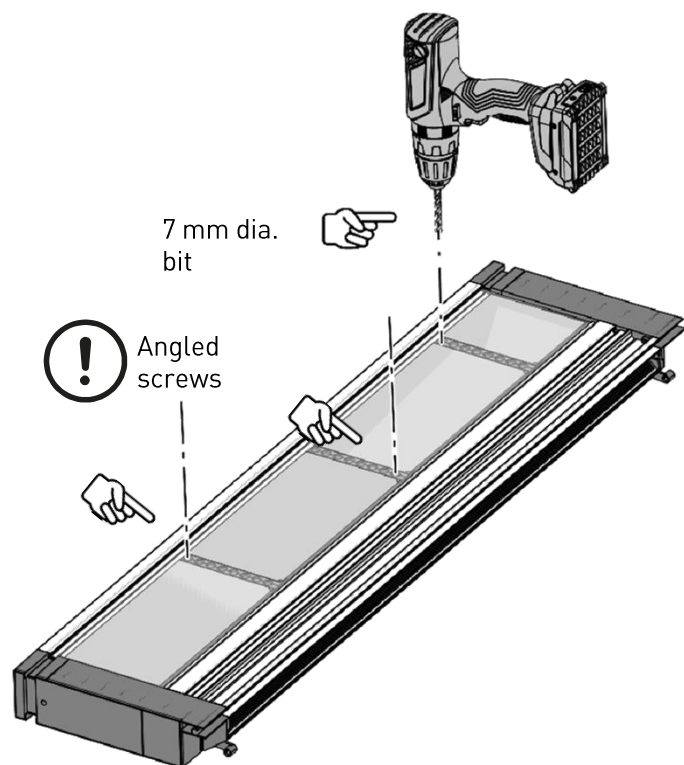
Seal off all joints and openings on the outside with a silicone sealant of choice.



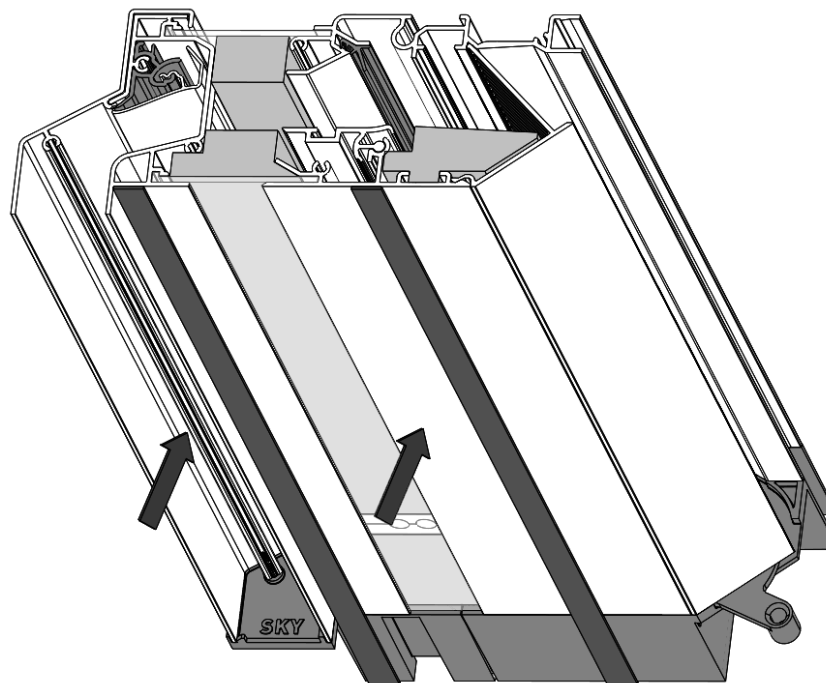
## 4

## Fitting with Buildex screws

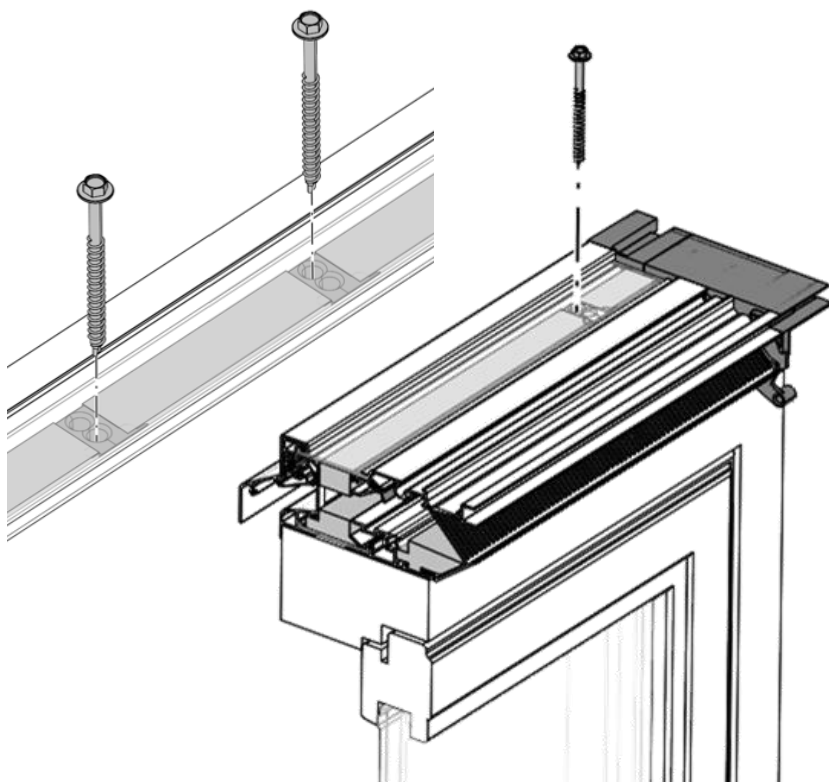
For each connecting piece, drill 1 hole through the ventilator from the top and **through the connecting piece hole** at the positions where the ventilator will be fixed to the window. Use a 7 mm dia. bit for this. **Angle the holes at the outermost positions** or as far as possible apart if the window does not allow the outermost positions.



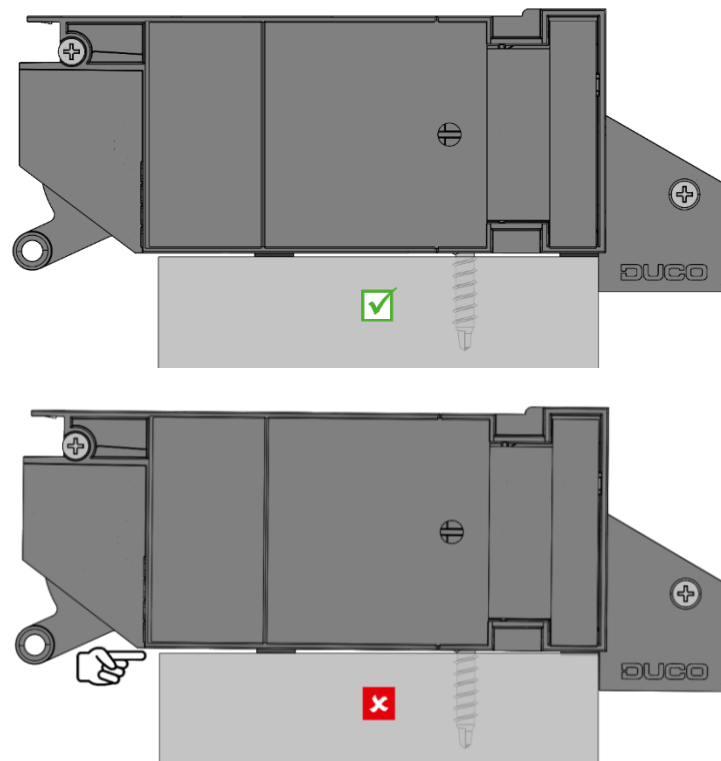
Apply the swellable tape (preferably: 15/2-6 swellable tape) to the underside of the ventilator. Swellable tape needs to be applied to the inside and outside of the ventilator.



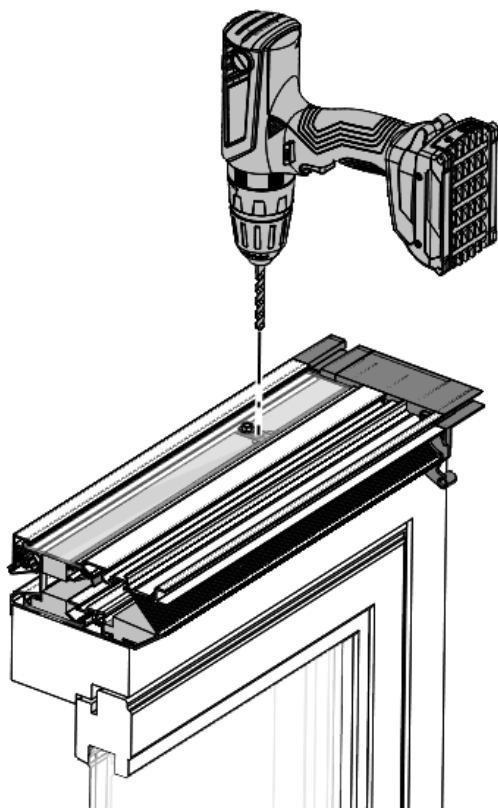
Keep the ventilator in place using a screw clamp at the ends. Next, screw the ventilator through the predrilled holes **through each connecting piece** down onto the window using the screws supplied. Ensure that the self-tapping screws (DIN 7504K 6.3 dia. x 80 mm) are tightened to a **maximum of 3 Nm**.



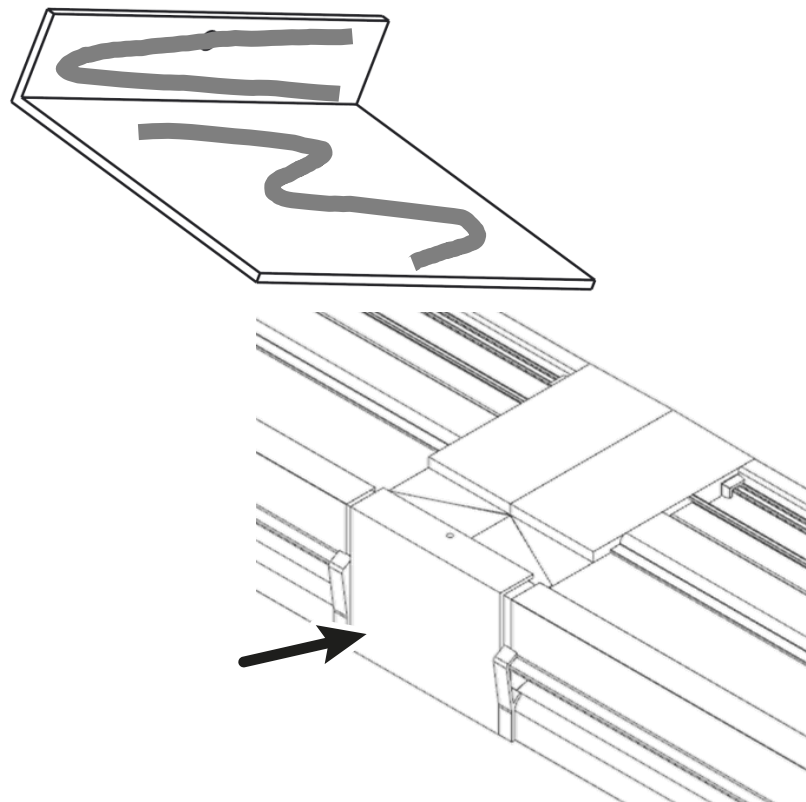
The ventilator must not show any twist on the window. Shim as necessary until the ventilator is perfectly horizontal. Otherwise Duco cannot offer any guarantee that the ventilator will function correctly.



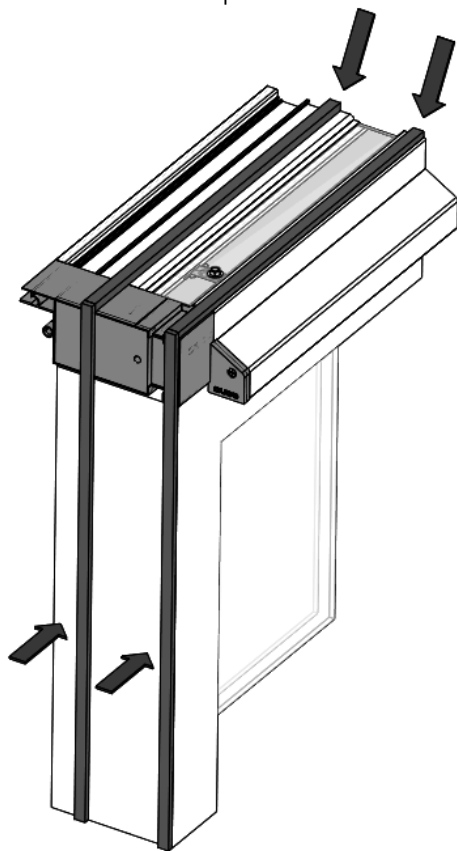
Drill through the ventilator and window from the top with a **7 mm dia. drill bit**. Drill holes every 750 mm at minimum through the holes in the connecting pieces. Always start from the outermost connecting pieces and work towards the middle.



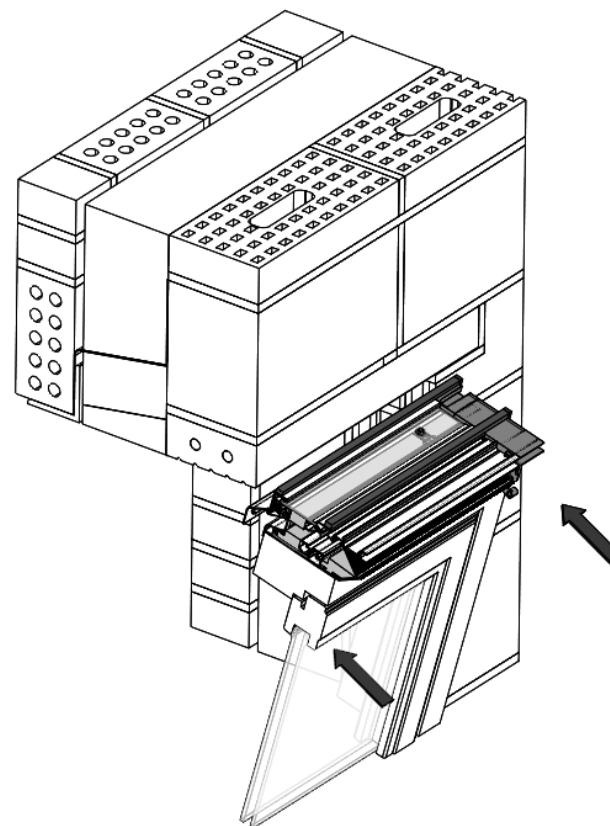
If 2 ventilators need to be linked. Take a 91 mm link plate and apply adhesive sealant on the inside. Apply it on the outside between the 2 ventilators in order to finish off the joint.



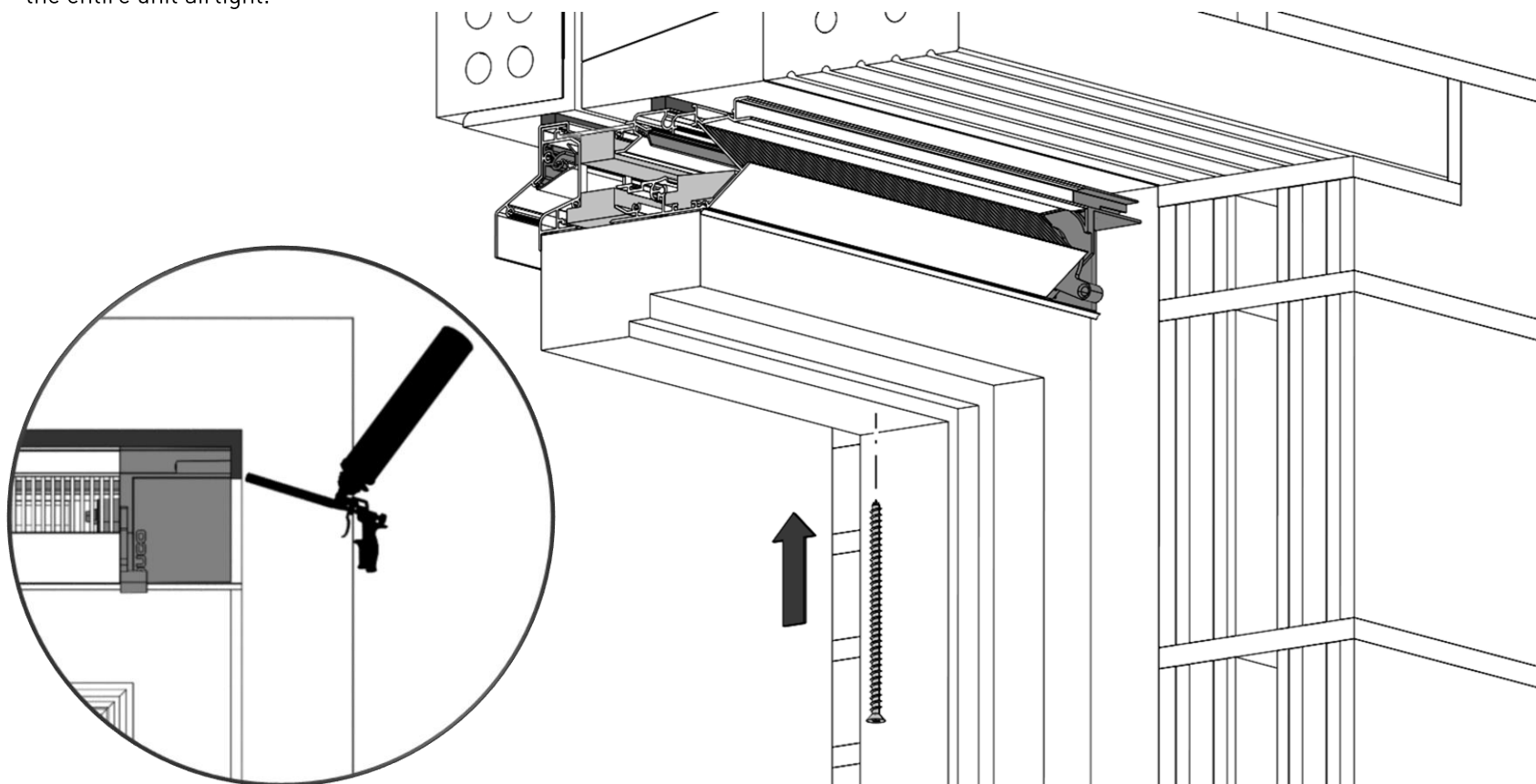
Apply the swellable tape (preferably: 15/2-6 swellable tape) to the inside and outside all around the window and the ventilator in the same position as the swellable tape between the window and the ventilator.



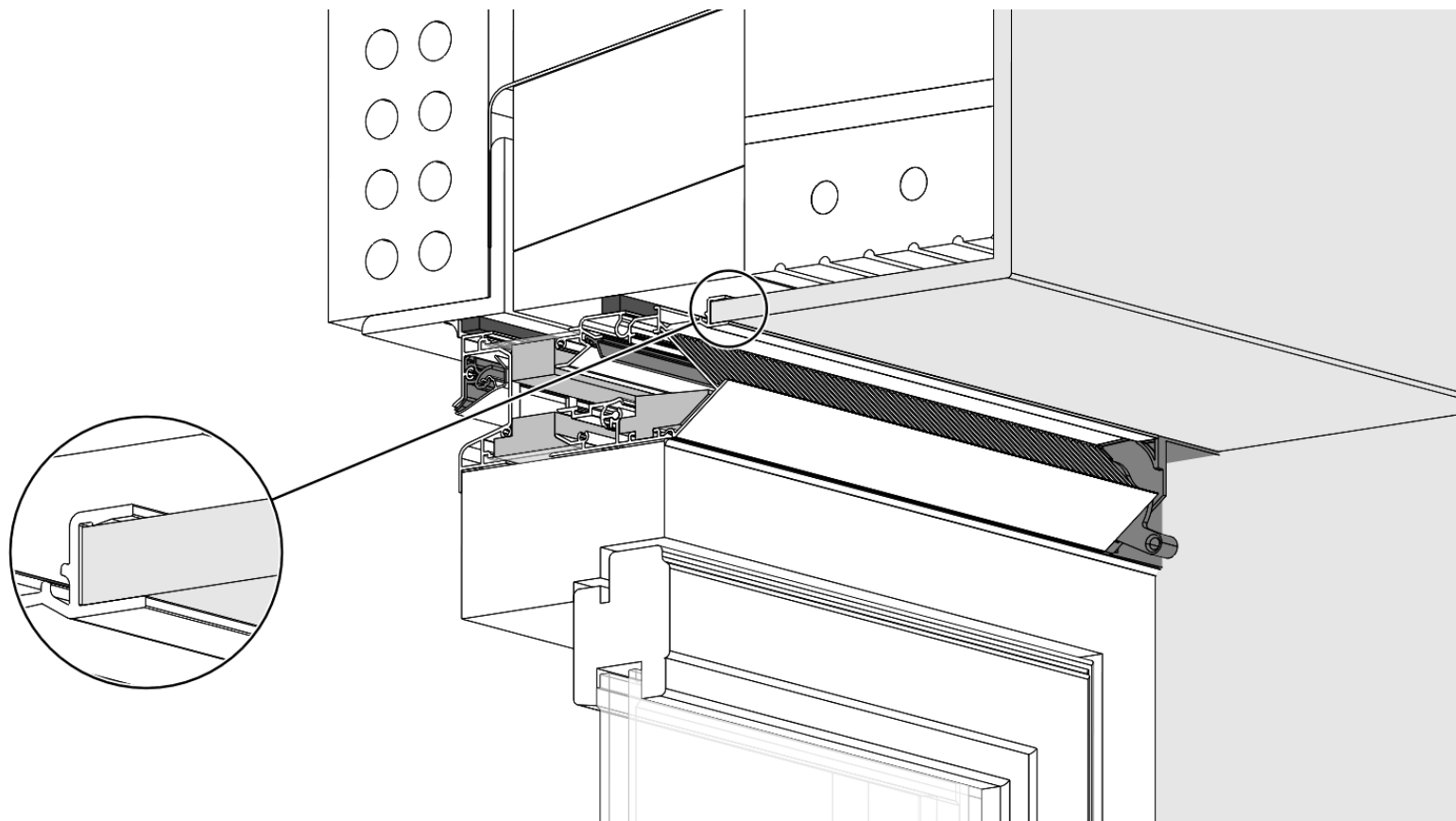
With the Tronic version, pass the cable through the conduit. Tilt the window into the opening.



Shim the ventilator at 250 mm intervals. Fix with Buildex screws from the underside of the window through the ventilator connecting pieces and into the structure above it. Check again to ensure that the ventilator is not showing any twist. Spray PUR all around the opening to make the entire unit airtight.

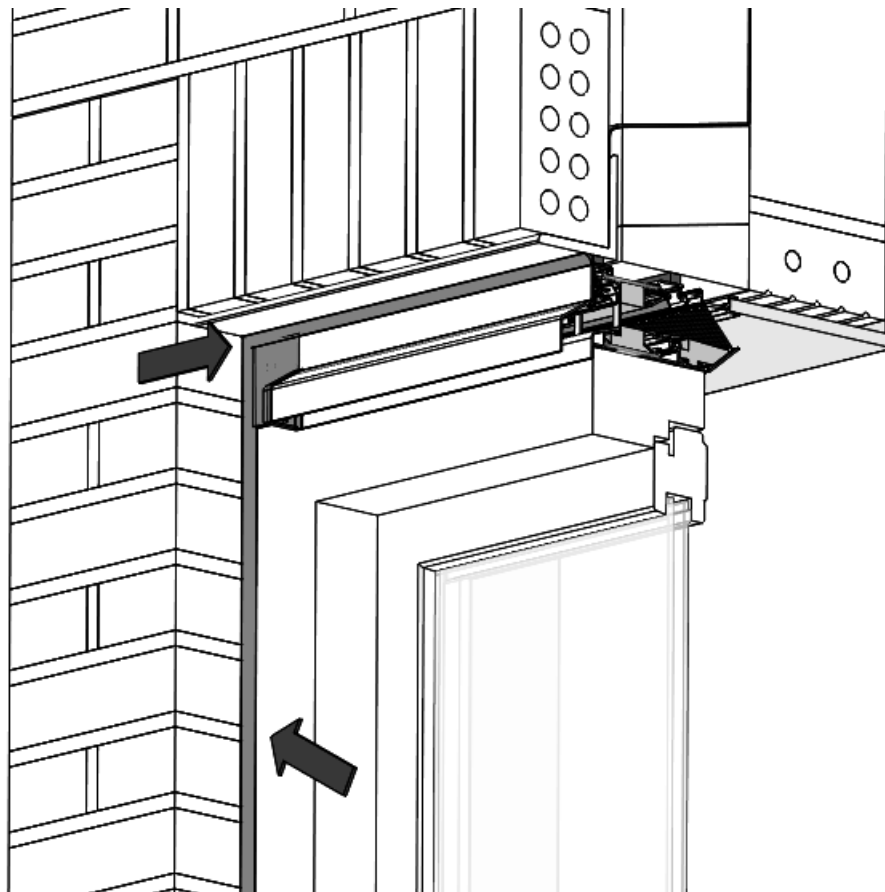


Finish off the inside completely. The removable section must not be opened or removed when applying the plaster finish. Avoid getting plaster in the ventilator! The protective tape must not be removed until after the ventilator has been finished completely.





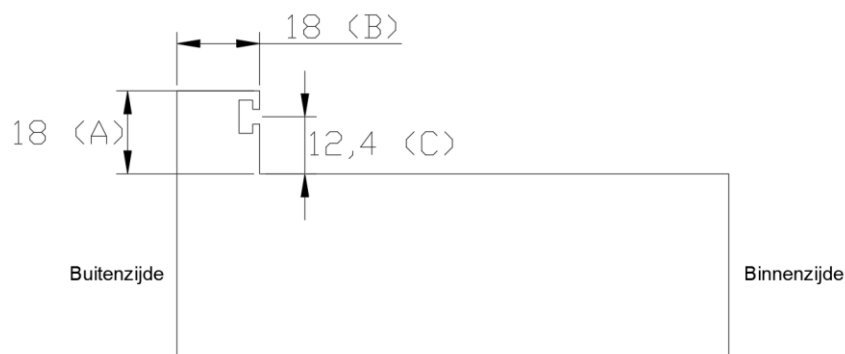
Seal off all joints and openings on the outside with a silicone sealant of choice.



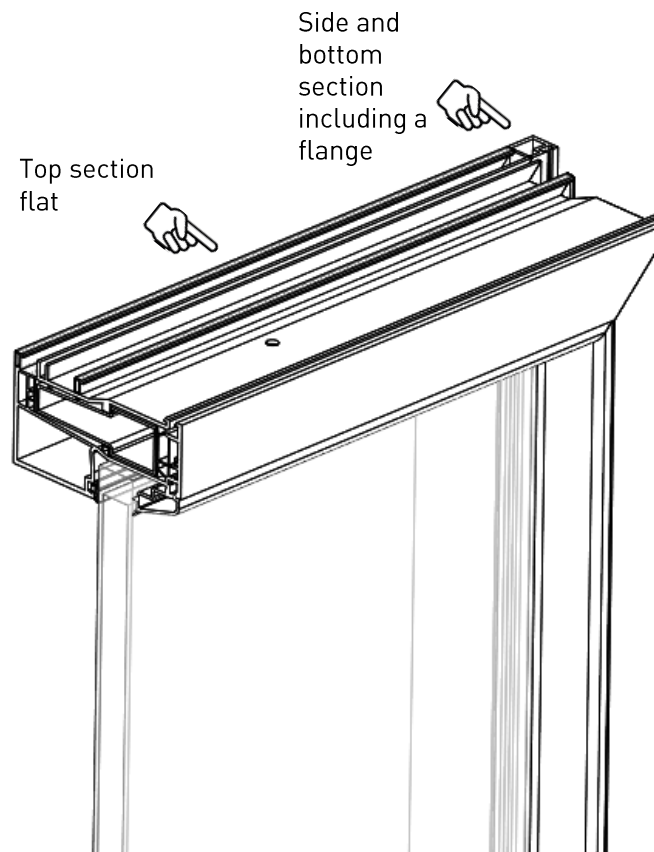
## 5

## Mounting using a flanged section

The TopVent Flens was developed for use in synthetic frames with rabbet. The ventilator connects to an 18mmx18mm flange in which the opening for the rubber is at a height of 12.4 mm. It is allowed to deviate maximum 1 mm from these three values (A, B and C) to guarantee proper sealing.



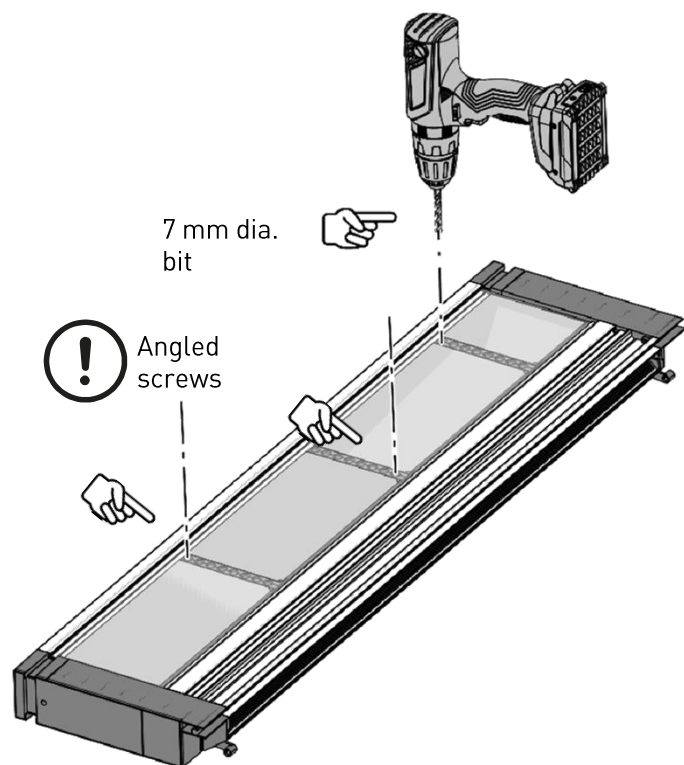
The top side of the window frame must always be made without a rabbet, so that the TopVent Flens can be mounted flat on the window.



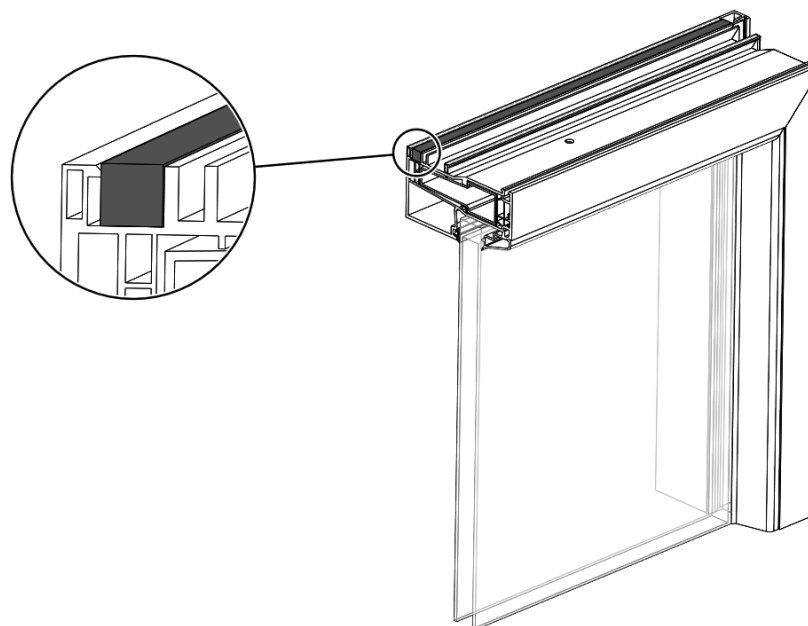
## 5

## Mounting using a flanged section

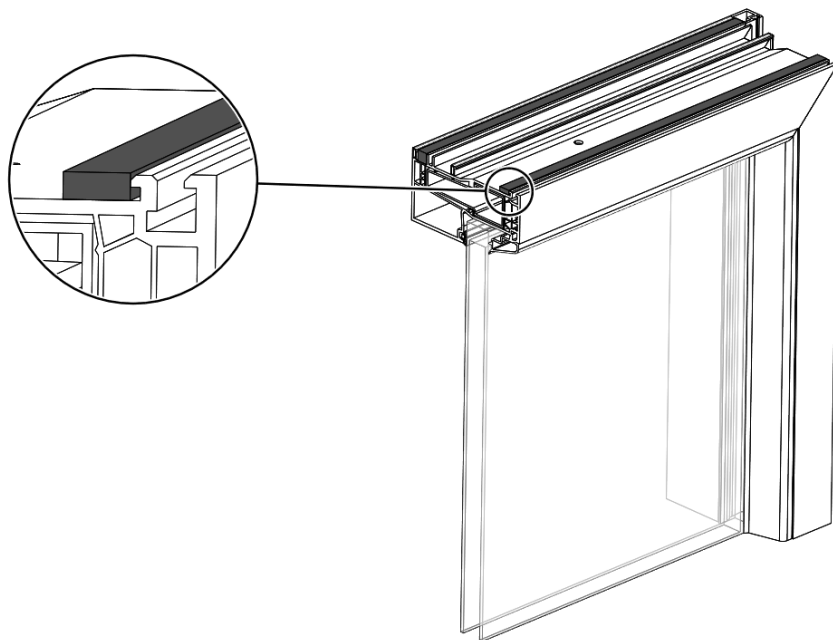
For each connecting piece, drill 1 hole through the ventilator from the top and **through the connecting piece hole** at the positions where the ventilator will be fixed to the window. Use a 7 mm dia. bit for this. **Angle the holes at the outermost positions** or as far as possible apart if the window does not allow the outermost positions.



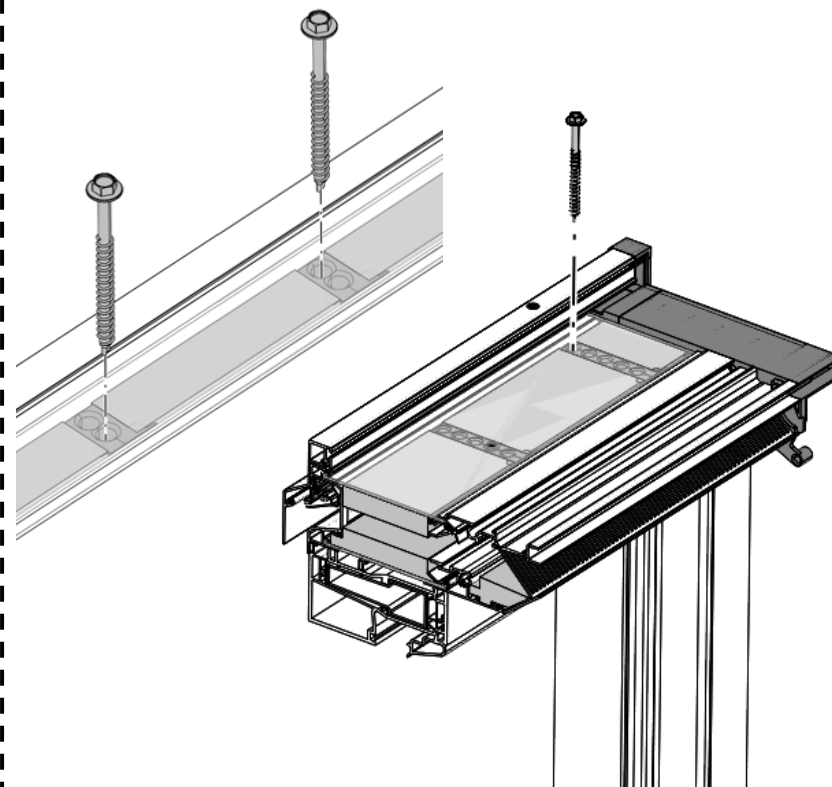
Apply a swellable tape to the top side of the window and as far to the outside as possible. Thickness of the swellable tape depends on the type of window.



Apply a swellable tape to the top side of the window and as far to the outside as possible. Thickness of the swellable tape depends on the type of window.

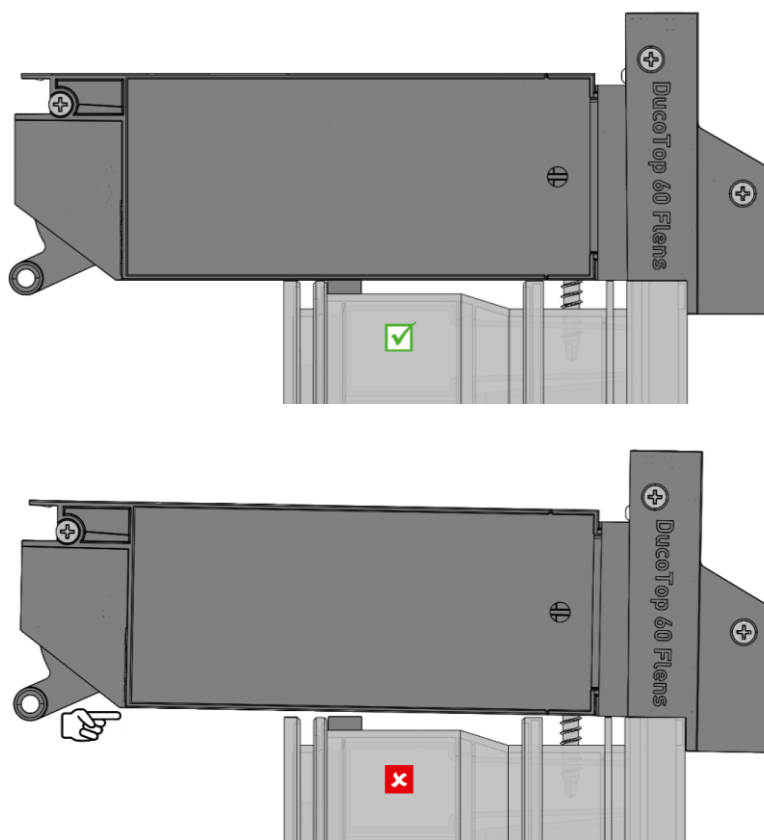


Keep the ventilator in place using a screw clamp at the ends. Next, screw the ventilator through the predrilled holes **through each connecting piece** down onto the window using the screws supplied. Ensure that the self-tapping screws (DIN 7504K 6.3 dia. x 80 mm) are tightened to a **maximum of 3 Nm**.

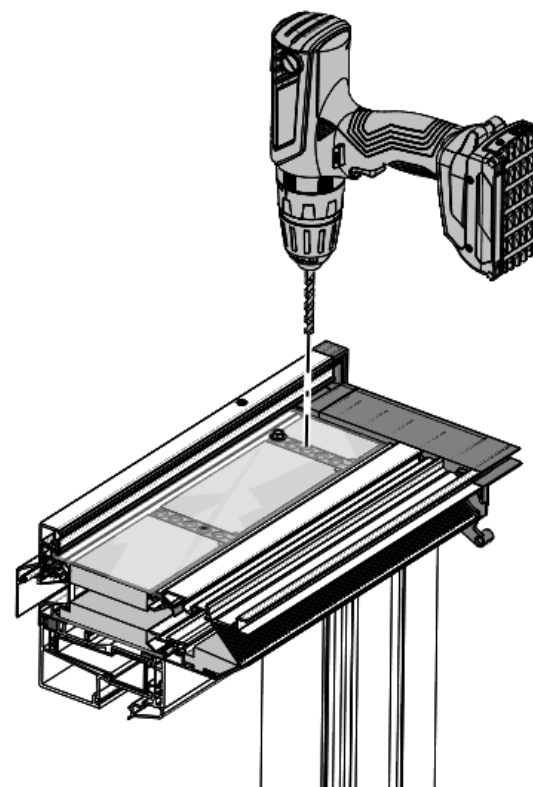


## 5 Mounting using a flanged section

The ventilator must not show any twist on the window. Shim as necessary until the ventilator is perfectly horizontal. Otherwise Duco cannot offer any guarantee that the ventilator will function correctly.



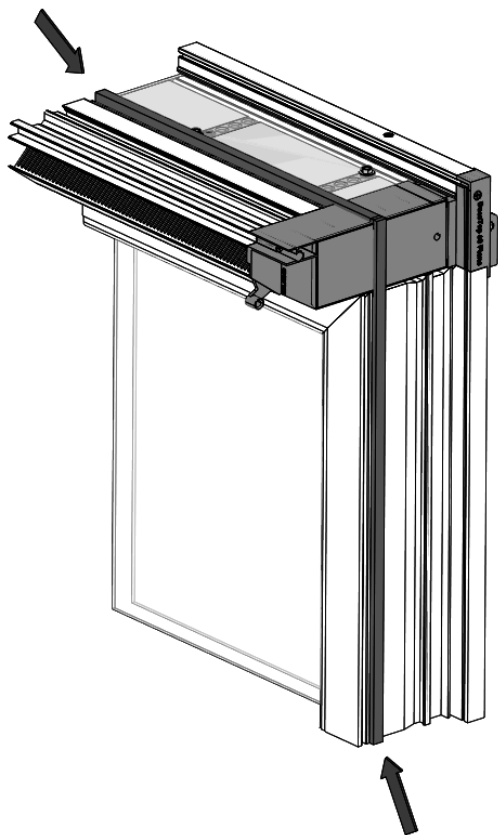
Drill through the ventilator and window from the top with a **7 mm dia. drill bit**. Drill holes every 750 mm at minimum through the holes in the connecting pieces. Always start from the outermost connecting pieces and work towards the middle.



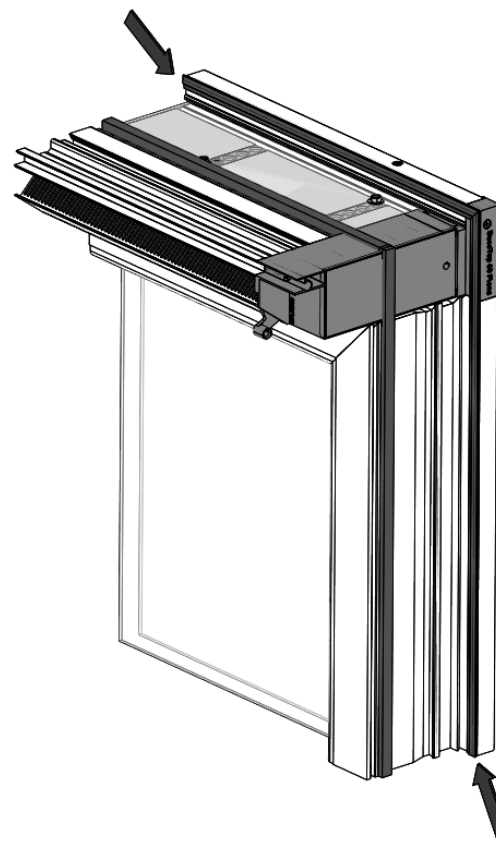
## 5

## Mounting using a flanged section

At the inside - at the same place as the swellable tape that is located between the window and the ventilator - you should apply a swellable tape around the window and the ventilator.



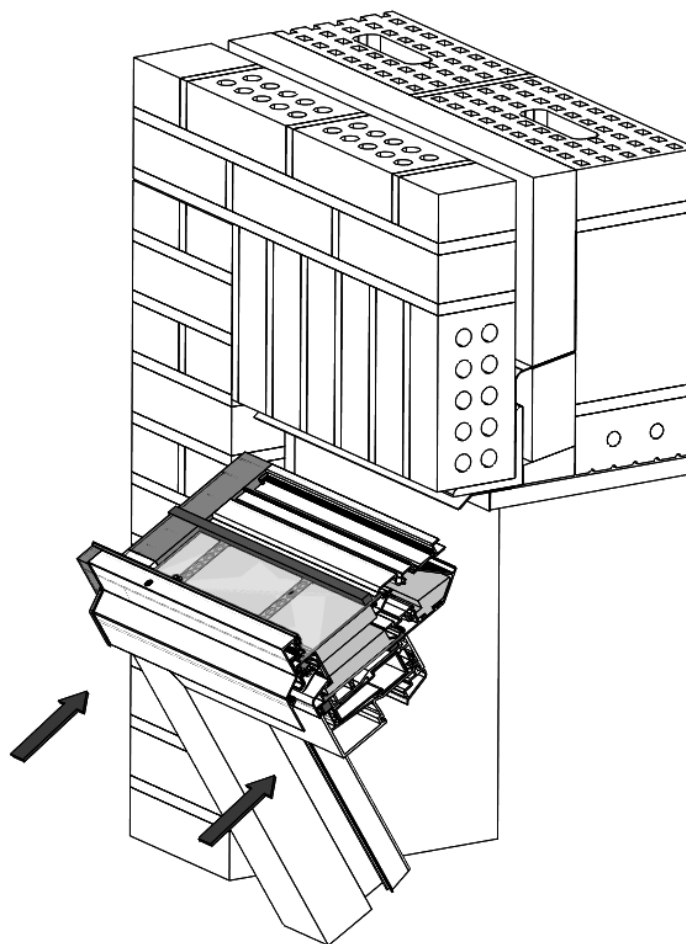
At the outside, put the rubber around the window and put the ventilator in the opening provided. This is the rubber included in the delivery of the window.



# 5

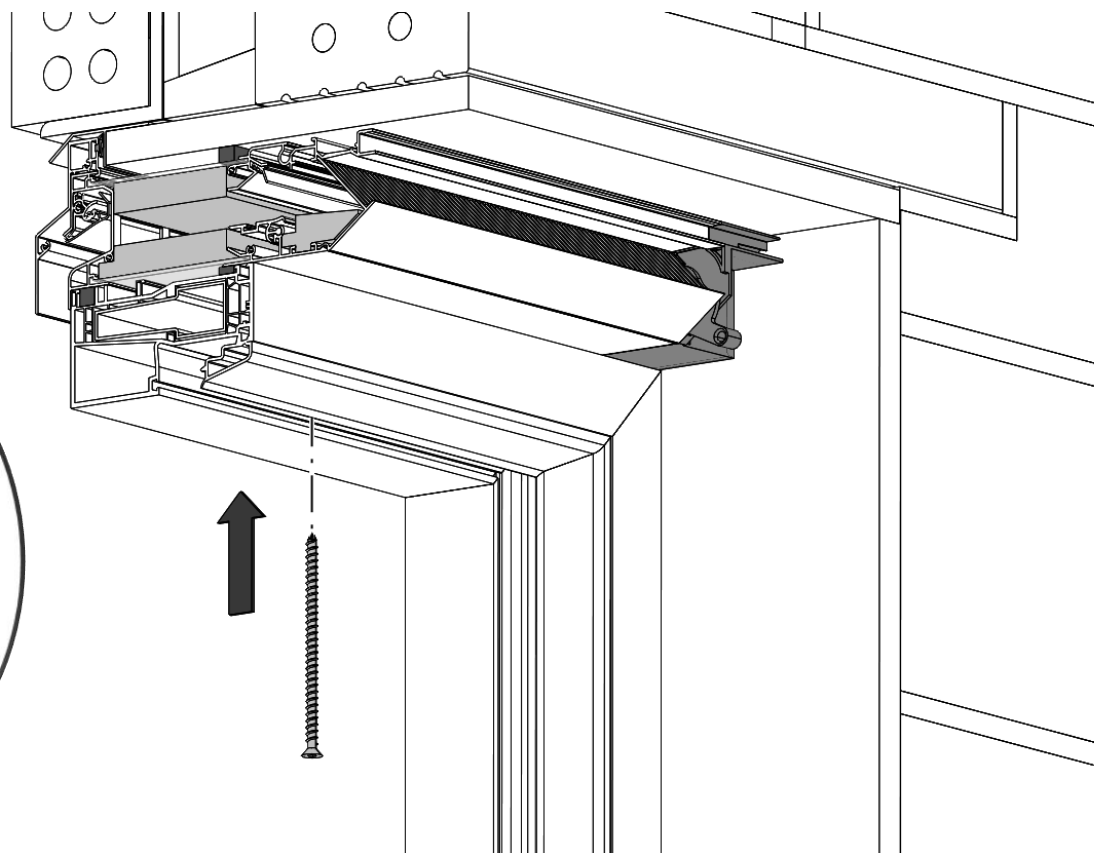
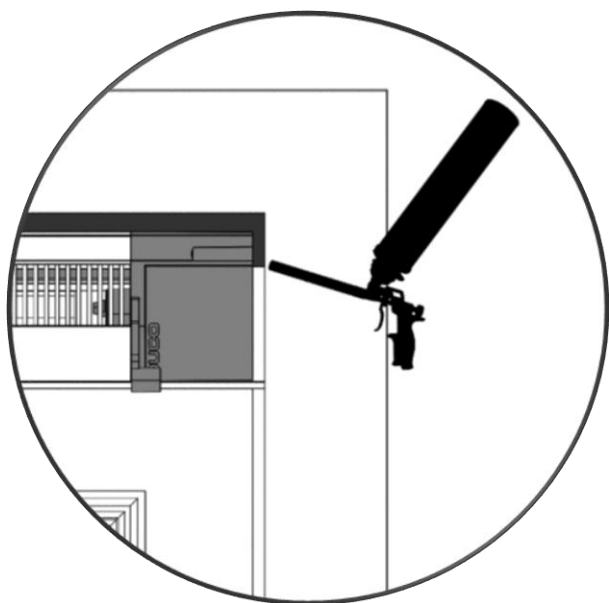
## Mounting using a flanged section

Tilt the window into the opening.



## 5 Mounting using a flanged section

Shim the ventilator at 250 mm intervals. Fix with Buildex screws from the underside of the window through the ventilator connecting pieces and into the structure above it. Check again to ensure that the ventilator is not showing any twist. Spray PUR all around the opening to make the entire unit airtight.





## 5

## Mounting using a flanged section

Finish off the inside completely. The removable section must not be opened or removed when applying the plaster finish. Avoid getting plaster in the ventilator! The protective tape must not be removed until after the ventilator has been finished completely.

