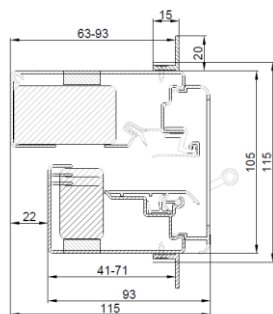
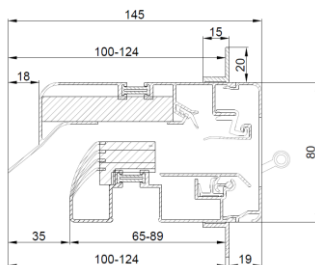


Compact transom mounting

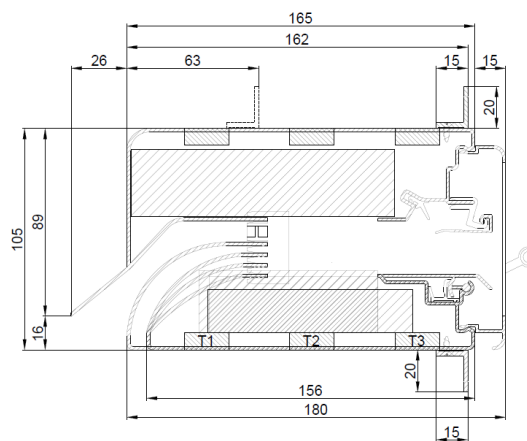
L0004229 26/06/2023



MiniMax / TronicMiniMax



GlasMax / TronicGlasMax

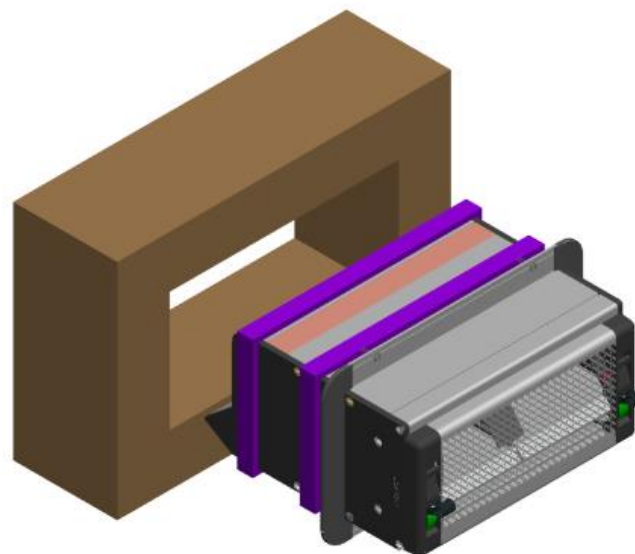
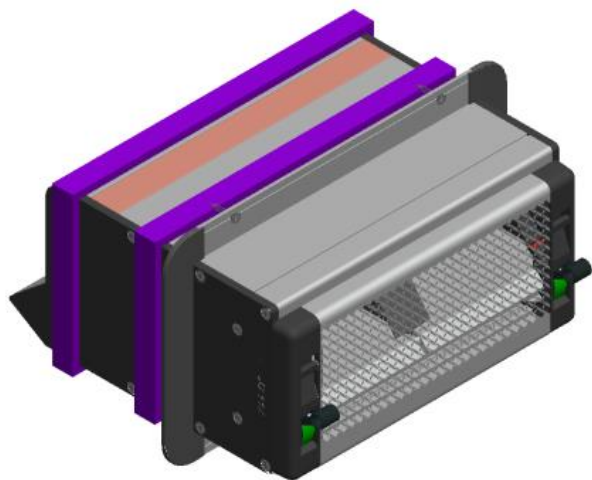


DucoMax / TronicMax
SkyMax

1

Compact transom mounting

- 1) Stick 2 x sealing / swell tape around the window ventilator. (Viton 15ZKx20mm)
- 2) Place the window ventilator in the opening provided.



1

Compact transom mounting

3) Screw the window ventilator every 250mm into the holes provided (with screw 3.5 x 30 mm).

